

All Round Cylinders 32 to 63 R Series



With its aluminium body construction and integral pivot mounting points the R32 - 63mm round cylinder series offers a lightweight versatile cylinder for a variety of applications. Designed and manufactured for quality and long service life while giving an economical package of options to compete in the competitive market environment.

- Available in bores $\text{Ø}32$, $\text{Ø}40$, $\text{Ø}50$ and $\text{Ø}63$
- Double acting
- Adjustable cushioning
- Magnetic piston as standard
- Range of mounting options
- Other options available

With its aluminium body construction and integral pivot mounting points the R32 - 63mm round cylinder series offers a lightweight versatile cylinder for a variety of applications. Designed and manufactured for quality and long service life while giving an economical package of options to compete in the competitive market environment.

- Available in bores $\varnothing 32$, $\varnothing 40$, $\varnothing 50$ and $\varnothing 63$
- Double acting
- Adjustable cushioning
- Magnetic piston as standard
- Range of mounting options
- Other options available



Operating information

Working pressure: Max 10 bar
 Temperature range: -10°C to $+70^{\circ}\text{C}$

For more information see www.parker.com/euro_pneumatic

R32 - 63mm

$\varnothing 32\text{mm}$ - (G1/8)

Stroke mm	Order code
25	PD46443-0025
50	PD46443-0050
80	PD46443-0080
100	PD46443-0100
125	PD46443-0125
160	PD46443-0160
200	PD46443-0200
250	PD46443-0250
320	PD46443-0320
400	PD46443-0400
500	PD46443-0500

$\varnothing 50\text{mm}$ - (G1/4)

Stroke mm	Order code
25	PD46447-0025
50	PD46447-0050
80	PD46447-0080
100	PD46447-0100
125	PD46447-0125
160	PD46447-0160
200	PD46447-0200
250	PD46447-0250
320	PD46447-0320
400	PD46447-0400
500	PD46447-0500

$\varnothing 40\text{mm}$ - (G1/4)

Stroke mm	Order code
25	PD46445-0025
50	PD46445-0050
80	PD46445-0080
100	PD46445-0100
125	PD46445-0125
160	PD46445-0160
200	PD46445-0200
250	PD46445-0250
320	PD46445-0320
400	PD46445-0400
500	PD46445-0500

$\varnothing 63\text{mm}$ - (G3/8)

Stroke mm	Order code
25	PD46449-0025
50	PD46449-0050
80	PD46449-0080
100	PD46449-0100
125	PD46449-0125
160	PD46449-0160
200	PD46449-0200
250	PD46449-0250
320	PD46449-0320
400	PD46449-0400
500	PD46449-0500

Characteristics

General features		Description
Type		Round cylinder
Series		R.... , RK....
System		Piston rod cylinder
R6..., RK6....		Double acting without cushioning
R5....		Double acting with cushioning
RDU6...		With through piston rod Double acting without cushioning
Ambient temperature range	T _{min}	-10 °C
	T _{max}	+70 °C
Medium temperature range	T _{max}	+70 °C
Medium		Filtered and lubricated or filtered and unlubricated compressed air
Lubrication		Oil mist lubrication compatible with NBR and PU

Note:
When using below freezing point (°C)
please contact as for advice

Material

Cylinder barrel	Aluminium, anodised
Front/rear end caps	Aluminium
Piston rod	Steel, high-alloy

Pneumatic Characteristics

Nominal pressure	P _n	6 bar			
Piston diameter		32	40	50	63
Operating pressure range	P _{min}	1 bar			
	P _{max}	10 bar			
Port size		G1/8	G1/4	G1/4	G3/8
Piston rod diameter		12mm	16mm	20mm	20mm
Stroke length (mm)		For standard stroke lengths see order instructions, max. 500, longer strokes on request			
Cushioned stroke		At both ends progressively adjustable			
Cushioned stroke		22mm	27mm	28mm	28mm

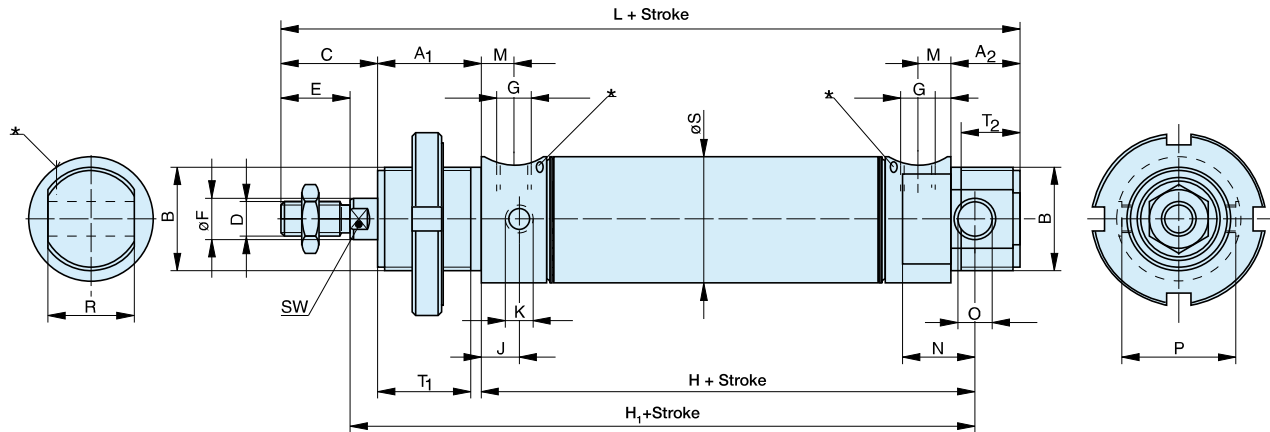
Weight (mass) kg

Cylinder version	Cylinder diameter							
	Ø32		Ø40		Ø50		Ø63	
	1*	2*	1*	2*	1*	2*	1*	2*
Basic cylinder Typ R....	0.550	0.150	0.940	0.250	1.400	0.300	1.900	0.400
With through piston rod Typ RDU....	1.100	0.340	1.480	0.560	2.560	0.850	3.260	0.950

* 1 = Weight for cylinder with 100 mm stroke

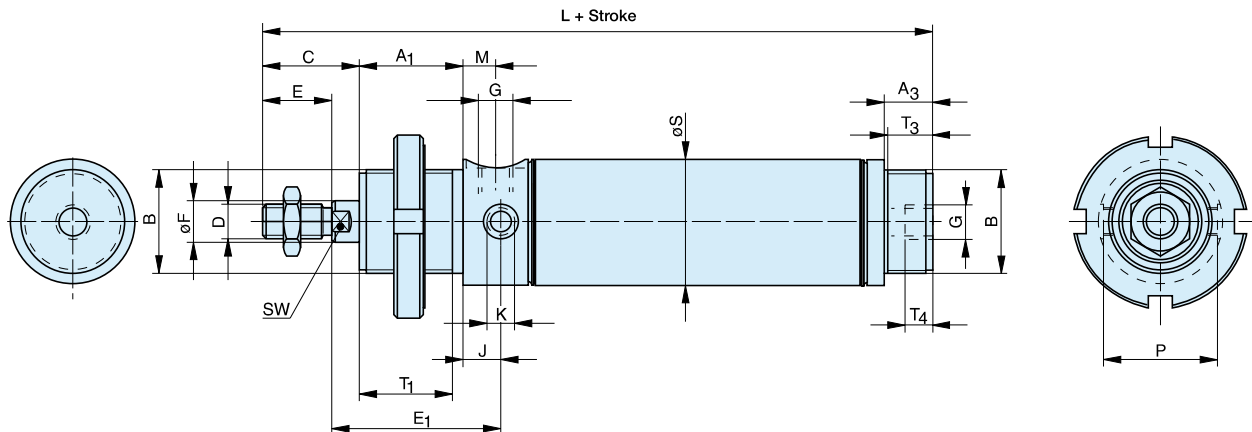
2 = Weight for every additional 100 mm stroke length

Dimensions – Basic Cylinder, Series R..., Ø 32 – 63 mm



* adjustable end cushioning only for series R 5000

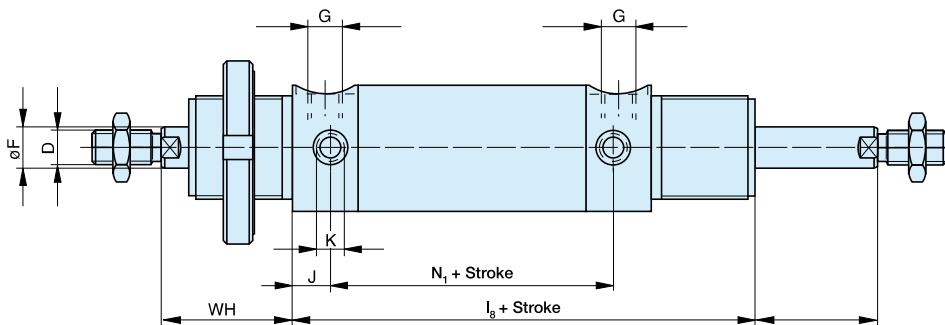
Dimensions – Basic Cylinder, Series RK..., Ø 32 – 63 mm



Dimension Table (mm) – Basic Cylinder, Series R..., RK..., RDU...

Cyl. Ø	A ₁	A ₂	A ₃	B	C	D	E	E ₁	ØF	G	H	H ₁ +Stroke	J	K	l ₃ +Stroke
32	30	19.5	14	M30x1.5	28	M10	20	49	12	G1/8	90.5	128.5	11	M8x1	83.5
40	35	21.5	16	M38x1.5	34	M12	24	57	16	G1/4	99.5	144.5	12	M10x1	89
50	38	25	18	M45x1.5	44	M16	32	63	20	G1/4	109.5	159.5	13	M12x1.5	93.5
63	38	24.5	18	M45x1.5	45	M16	32	64.5	20	G3/8	116.5	167.5	13.5	M14x1.5	101

Dimensions – Basic Cylinder with Through Piston Rod, Series RDU..., Ø 32 – 63 mm



Cyl. Ø	L+Stroke R...	L+Stroke RK...	M	N	N ₁ +Stroke	O	P	R _{h12}	ØS	T ₁	T ₂	T ₃	T ₄	SW	WH	WH+Stroke
32	160.5	138.5	9.5	21	61.5	10	33	25	35	27	16.5	12	8	10	38	38
40	181.5	156.5	11	24	65	12	42	30	43	32	17.5	14	12	14	45	45
50	205.5	179.5	11	27	67.5	14	52	35	54	35	21	16	12	17	50	50
63	215.5	186.5	12.5	28	74	16	62	35	67	35	20.5	16	12	17	51	51