

Designed to fit the standard electrical Ø22mm knock out, they can provide dual pneumatic and electrical output signals. A variety of button and switch actuators are available.

- Facia mounted operation
- 3/2 NO or NC
- Modular construction
- Wide range of actuators
- Dual pneumatic and electrical output signal

 **For ATEX specific products contact Sales Office**



Flow characteristics


PXB-B3••	Q _{max} = 60 l/min Q _n = 30 l/min
PXB-B4••	Q _{max} = 240 l/min Q _n = 120 l/min
Connections	Ø 4 mm push-in

Operating information


Push button valves - Visual indicators

Working pressure	1 to 9 bar
PXB-B3••	1 to 9 bar
PXB-B4••	1 to 10 bar
PXV-••	1 to 8 bar
Working temperature	-15°C to +60°C
ATEX approval:	CE Ex II 3 GD


Spring return push buttons

Symbol	Flow	Order code
	60 l/min	PXB-B3111BA2
	240 l/min	PXB-B4131BA2

Black - With 1 NC valve


Symbol	Flow	Order code
	60 l/min	PXB-B3111BA4
	240 l/min	PXB-B4131BA4

Red - With 1 NC valve


Symbol	Flow	Order code
	60 l/min	PXB-B3111BA3
	240 l/min	PXB-B4131BA3

Green - With 1 NC valve

Mushroom head push buttons


Symbol	Flow	Order code
	60 l/min	PXB-B3111BC2
	240 l/min	PXB-B4131BC2

Black - Spring return - With 1 NC valve

Symbol	Flow	Order code
	60 l/min	PXB-B3111BT4
	240 l/min	PXB-B4131BT4

Red - Latching - With 1 NC valve

Selector switches

Symbol	Flow	Order code
	60 l/min	PXB-B3111BD2
	240 l/min	PXB-B4131BD2

Black - 2 positions - With 1 NC valve

Additional switch valves, electrical contact block and mounting brackets

Symbol	Flow	Order code	Contact	Order code
	60 l/min NC	PXB-B3911	Normally open NO	ZBE-101
	240 l/min NC	PXB-B4931	Normally closed NC	ZBE-102
	60 l/min NO	PXB-B3921		
	240 l/min NO	PXB-B4931		
	60 l/min NC	PXB-B3912		
	60 l/min NO	PXB-B3922		

NC
 NO

All PXB-B4 valves can be connected either as normally closed 3/2 valve (NC) or normally open 3/2 valve (NO) as required, by connecting the primary air supply to port 1 or port 3.

Symbol	Flow	Order code	Description	Order code
	60 l/min NC	PXB-B3111B	 Mounting block	ZB4-BZ009
	60 l/min NO	PXB-B3121B		

Spring return push buttons

Spring return

	Colour	Order code
	Black	ZB4-BA2
	Green	ZB4-BA3
	Red	ZB4-BA4

Flush

Mushroom head

	Colour	Order code
	Black	ZB4-BC2
	Green	ZB4-BC3
	Red	ZB4-BC4

Ø40 mm
spring return

Selector switches

Black handle

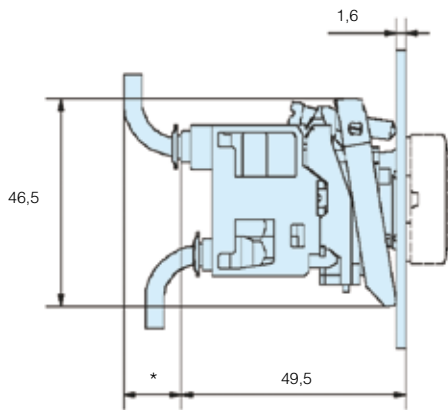
	Function	Order code
	2 positions fixed	ZB4-BD2
	3 positions fixed	ZB4-BD3

Standard

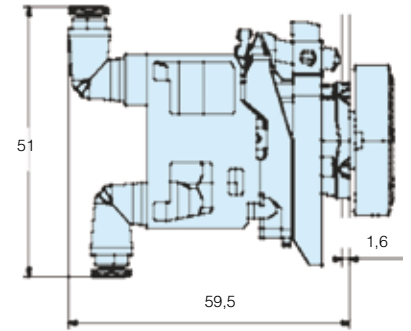
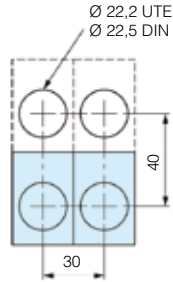
Visual indicators

	Colour actuated	Colour unactuated	Order code
	Green	Black	PXV-F131
	Red	Black	PXV-F141
	Yellow	Black	PXV-F151
	Blue	Black	PXV-F161
	White	Black	PXV-F111
	Green	Red	PXV-F1314

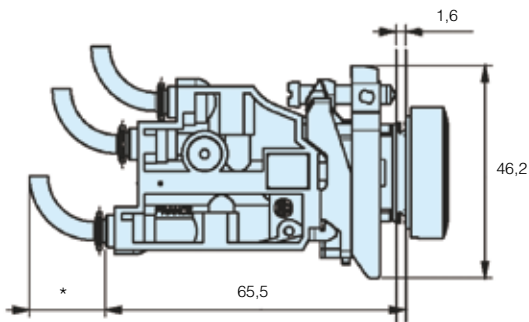
PXB-B3



Body width 30mm
 * With 2 x 4mm tube = 10
 With 2,7 x 4mm tube = 15



PXB-B4



Body width 30mm
 * With 2 x 4mm tube = 10
 With 2,7 x 4mm tube = 15

