

PRESSURE GAUGE

VTG-18 / VG-18

Features and Strengths

Vacuum gauge with high quality and long life time
Available to be mounted directly into the panel plate with fixing nut

Specifications

Model	VTG-18	VG-18
Connection	G1/8" male & M5 female	G1/8" male
Accuracy	±1.6% full scale	±1.6% full scale
Pressure range	-100 ~ 0kPa	0 ~ - 100kPa
Temperature range		-40 ~ +60
Material	Brass, ABS, PMMA	Brass, ABS, PMMA
Weight	58g (with mounting nut) 52g (without mounting nut)	32g



VTG-18



VG-18

Build an Ordering No.

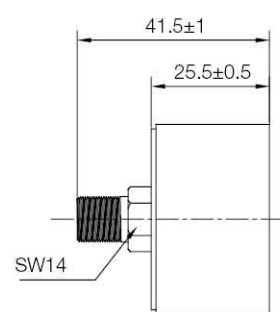
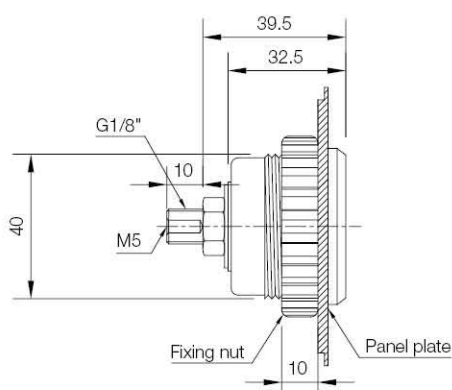
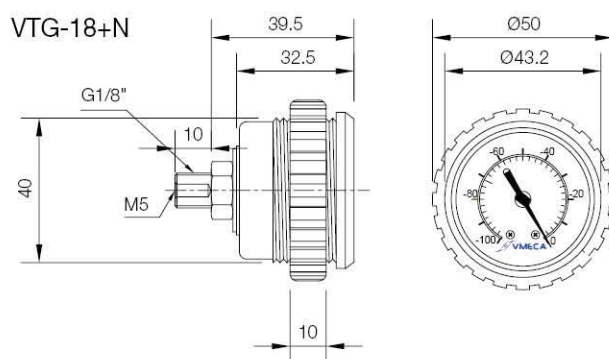
VTG-18

1. Gauge

1. Gauge	Description	Ordering No.
	Vacuum gauge, Dial type, No mounting nut	VTG-18
	Vacuum gauge, Dial type, Mounting nut	VTG-18+N
	Vacuum gauge, Dial type, No mounting nut	VG-18

Dimensions

[Unit : mm]



VG-18

