

VACUUM PUMPS / Turtle pumps – Midi series

VTC3031 / VTCL3031

Features and Strengths

- Highly operational reliability despite fluctuating or low compressed-air pressure
- Integrated pleated filter with high dirt capacity & Auto-cleaning system
- Optional Air-Saving Kit available to minimize energy consumption
- Quick response time
- Patented design



Specifications

Description	VTC3031	VTCL3031
Max. Vacuum level	-92 kPa	-75 kPa
Open Vacuum flow	341 NI/min	362 NI/min
Max. Feed pressure	7 bar	7 bar
Temperature	-20 ~ 80 °C	-20 ~ 80 °C
Noise level	50 ~ 60 dbA	50 ~ 60 dbA
Weight	412 g	411 g

Vacuum Flow

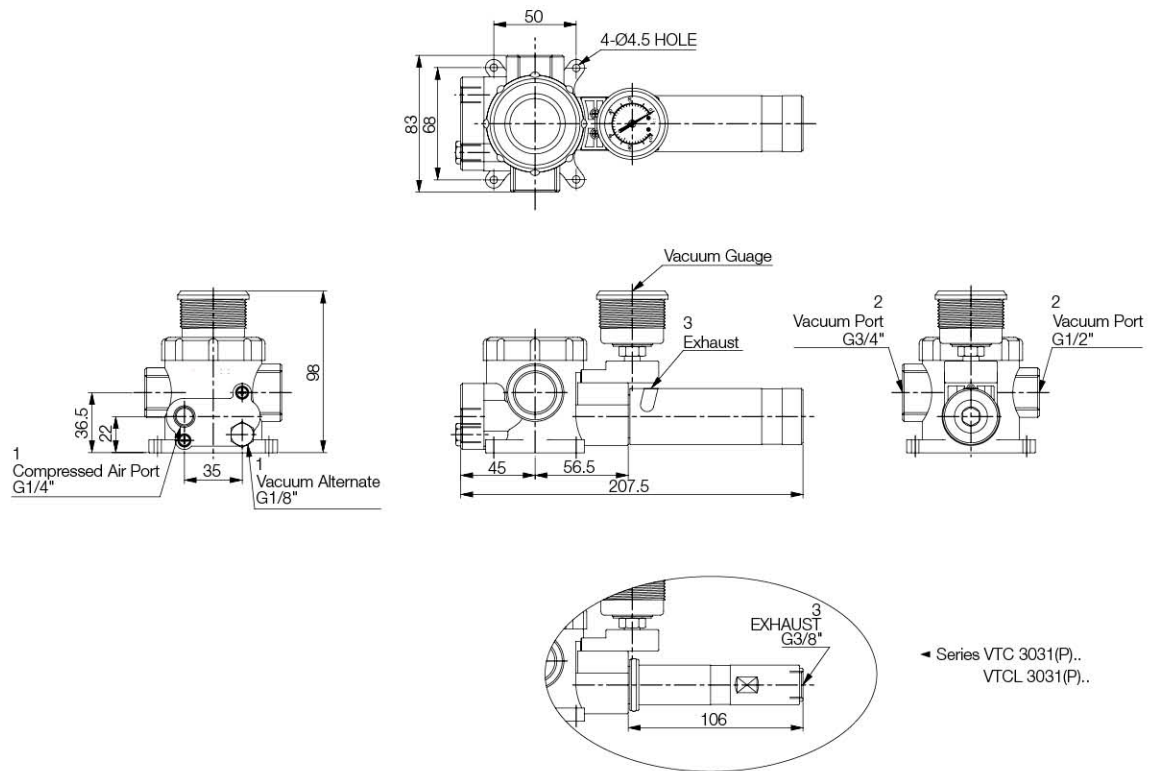
Model	Max. vacuum (-kPa)	Feed Pressure (bar)	Vacuum flow (NI/min) at different vacuum levels (-kPa)									
			0	10	20	30	40	50	60	70	80	90
VTC3031	75	2.2	302	123	88	53	31	29	17	5	-	-
	92	3.0	338	152	106	64	33	32	22	17	6	2
	92	4.0	341	154	128	94	69	43	23	17	7	2
VTCL3031	60	4.0	302	176	110	70	46	28	7	-	-	-
	70	5.0	344	200	130	82	50	38	23	11	-	-
	75	6.0	362	194	154	100	52	38	32	22	-	-

Evacuation Time

Model	Feed Pressure (bar)	Air Consumption (NI/min)	Evacuation time in sec / liter to reach different vacuum levels (-kPa)									
			10	20	30	40	50	60	70	80	90	
VTC3031	2.2	97	0.02	0.09	0.1	0.32	0.42	0.73	1.62	-	-	
	3	118	0.02	0.07	0.18	0.28	0.38	0.64	0.8	1.2	3.8	
	4	152	0.01	0.05	0.07	0.09	0.2	0.42	0.6	1	3.4	
VTCL3031	4	70	0.03	0.09	0.17	0.29	0.38	0.8	-	-	-	
	5	85	0.01	0.08	0.15	0.25	0.3	0.4	0.8	-	-	
	6	104	0.01	0.07	0.12	0.2	0.28	0.36	0.6	-	-	

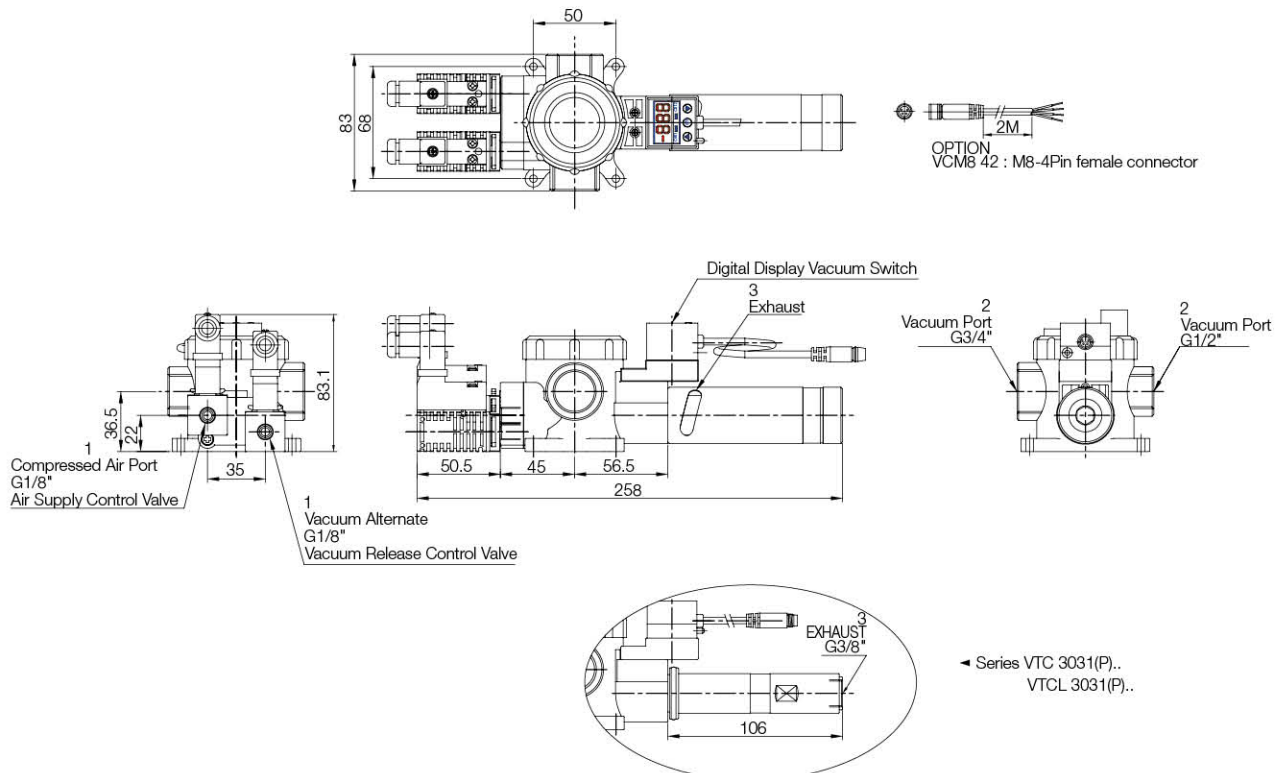
Dimension – Basic Pump

[Unit : mm]



Dimensions – with Accessories

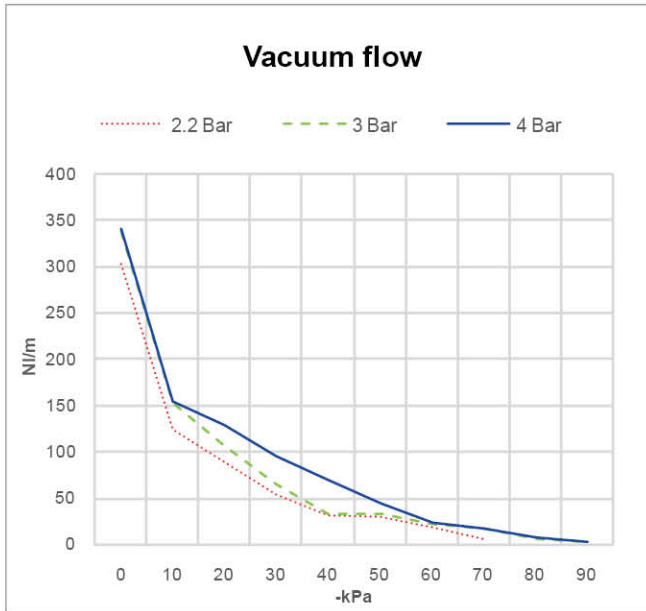
[Unit : mm]



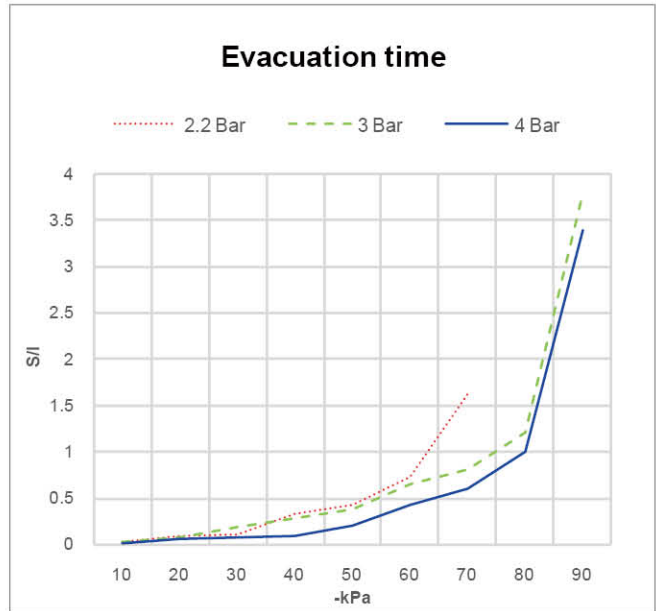
VACUUM PUMPS / Turtle pumps – Midi series

Performance data

VTC3031

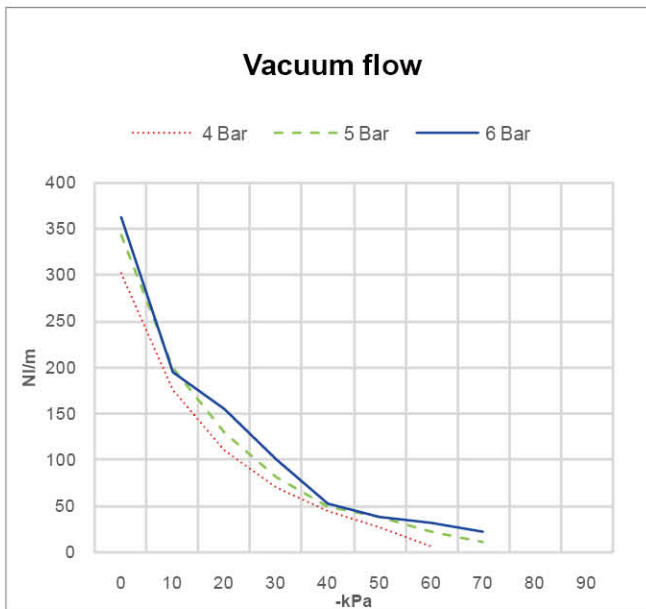


※ Vacuum flow at different vacuum level

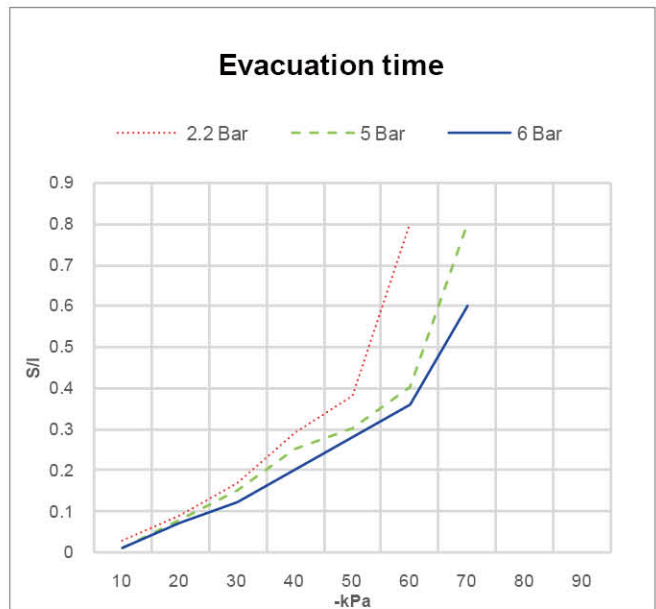


※ Time to evacuate a volume at different vacuum level

VTCL3031



※ Vacuum flow at different vacuum level



※ Time to evacuate a volume at different vacuum level