

## VP30

### Features and Strengths

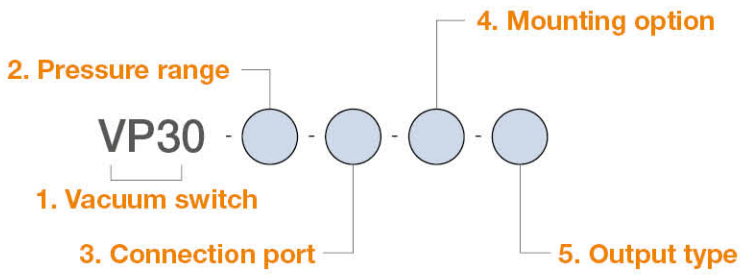
2 PNP outputs, NO or NC – Independently selectable for each output  
 3-colour LCD display, easy readout  
 7 programmable vacuum units, for example kPa, inHg, mmHg, etc.  
 Dual display allows actual and set value to be displayed at the same time  
 Selectable “Key-Lock mode” with display indicator to avoid unauthorized changes  
 Selectable “Power-Save mode” with display indicator  
 Mounting brackets included

### Specifications

Model		VP30 (Compound)	
Pressure Measure	Range of measure	-100kPa	
	Setting range	-100kPa ~ 100kPa	
	Withstand pressure	-100kPa ~ 100kPa	
	Pressure type	Non-flammable, non-corrosive gas, gauge pressure measurement	
	Measure accuracy	≤±0.2% F.S.(Ambient temperature 25°C)	
	Temperature error	≤±0.3% F.S.(Temperature range 0~50°C)	
	Measure pattern	Hysteresis mode Compare mode of upper and lower bounds	
Port size		External R1/8, NPT1/8, G1/8 option, internal thread M5	
Display	Brief description	Double LCD display	
	Statue display	4-digital measurement value, unit display, output status display	
	Display model	Adjustable backlight, 4 groups of display models	
Voltage range		12~24VDC ±10%	
Power consumption		40mA Max(non-load)	
Output signal	Transistor output	NPN open-collector output Output current : 80mA MAX Voltage drop : ≤ 1V	PNP open-collector output Output current : 80mA MAX Voltage drop : ≤ 1V
	Analog output	Voltage output Signal amplitude : 1~5V Load resistance : ≥1KΩ	Current output Signal amplitude : 4~20mA Load resistance : ≤400Ω
	Response time	Adjustable : 2.5ms, 20ms, 100ms, 500ms, 1000ms, 2300ms	
	Short-circuit protection	Yes	
Environmental resistance	IP level	IP40	
	Ambient temperature	Operating temperature 0~50°C, storage temperature -20~60°C	
	Ambient humidity	Operation humidity 35~80%RH	
	Insulation voltage	1000VAC 1min	
	Insulation resistance	≥50KΩ(500VDC)	
	Shock	Max 100m/s <sup>2</sup> , 3 times each in 6 directions of X, Y and Z	
Vibration	Amplitude 1.5mm, 10HZ~500HZ, 2hours each direction of X, Y and Z		

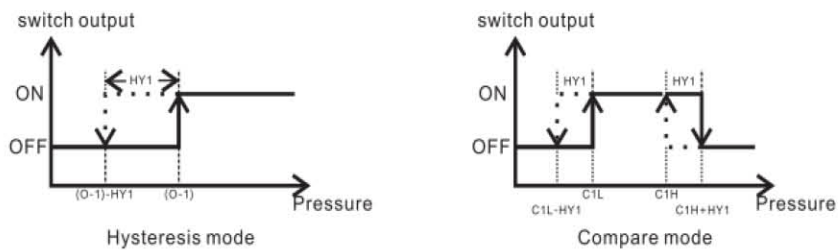
# VACUUM SWITCHES

## I Build an Ordering No.

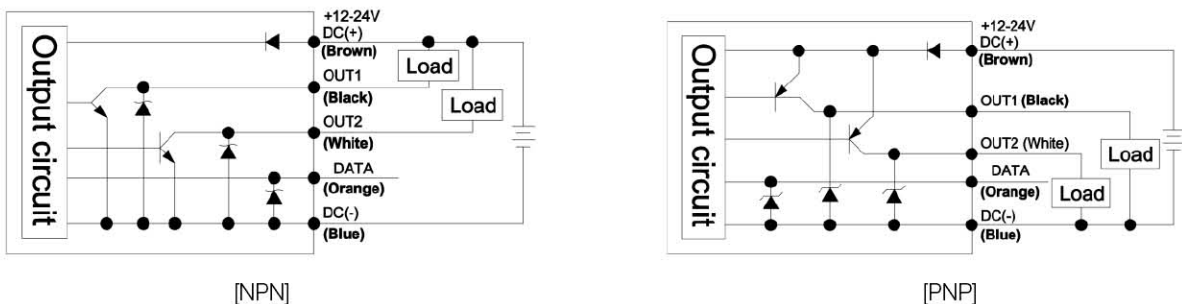


1. Vacuum switch	Description	Ordering No.
	Vacuum Switch, LED-Display	VP30
2. Pressure range	Description	Ordering No.
	Compound pressure (-100.0 ~ 100.0 kPa)	01
3. Connection port	Description	Ordering No.
	R1/8	R
	NPT 1/8	N
	G1/8	G
4. Mount option	Description	Ordering No.
	For panel installation	M
	For bracket installation	Z
5. Output type	Description	Ordering No.
	NPN	N
	PNP	P

## I Operating mode

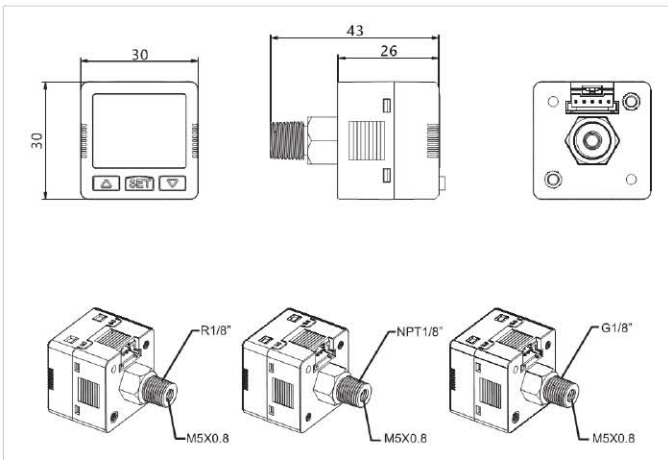


## I Circuit diagram and examples of connection

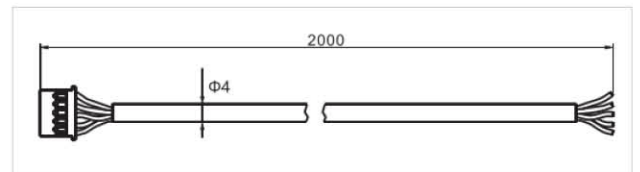


# I Dimension – Basic Pump

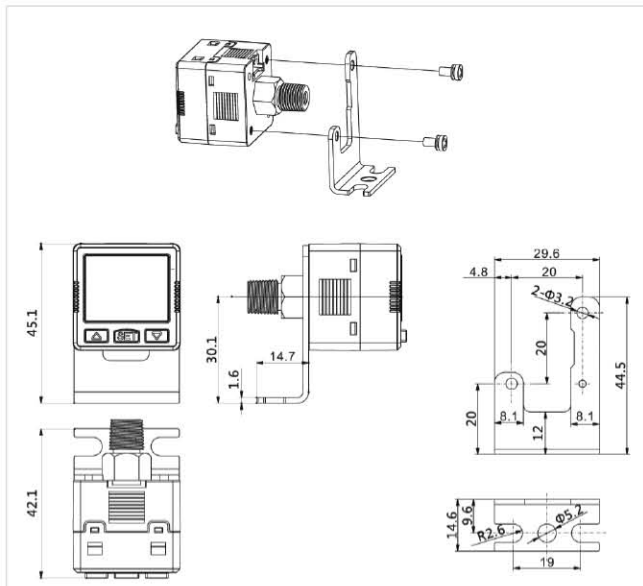
[Unit : mm]



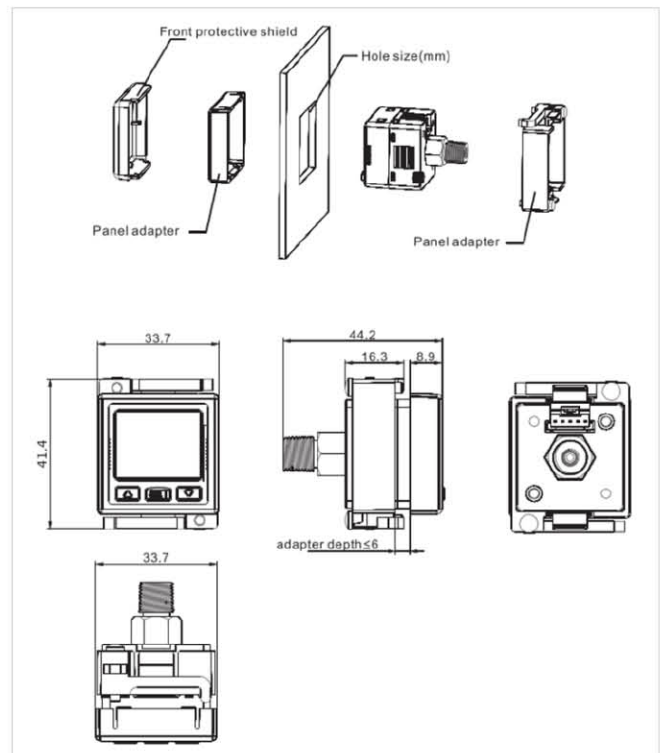
[Overall dimensions & connection port]



[Wire dimensions]



[Bracket mounting : Z]



[Panel mounting: M]