

SUCTION CUPS / Dual Lip Structure

BL5040

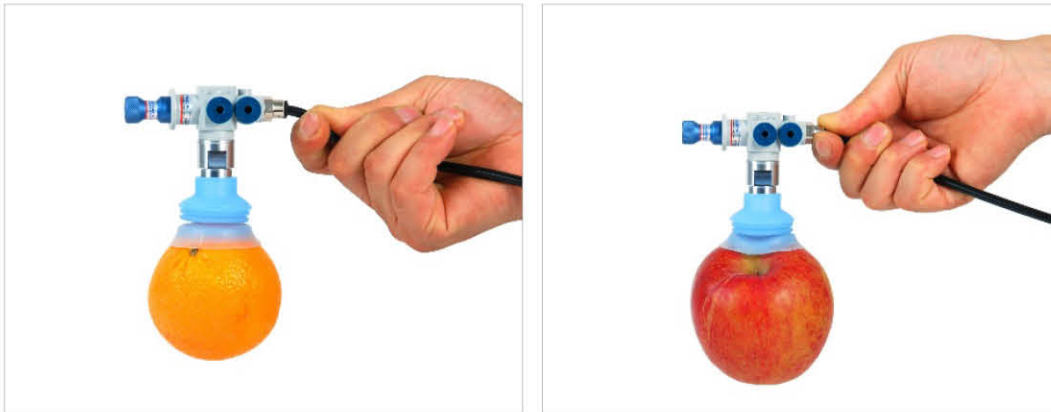
Features and Strengths

Excellent for irregular curved surface and rough surface
Dual lip structure to increase safety caused by lip worn and torn

Advantages

Stable and reliable performance by dual lip structure to increase safety caused by lip worn and torn

| Application



Examples of use

Food (Orange, Apple, Cheese ball, etc.)
Convex surface

| Available size options

Model	Description
BL5040	Dual lip structure suction cup, inner Ø40 - outer Ø50



I Recommended Lifting Force (Max.)

Model	Volume (cm ³)	Lifting Force (Kg) - Perpendicular			Page
		- 20 kPa	- 60 kPa	- 90 kPa	
BL5040	32.30	1.90	3.98	5.25	260

※ The lifting force above does not include safety factor

SUCTION CUPS / Dual Lip Structure

BL5040

Features and Strengths

Excellent for irregular curved surface and rough surface
Dual lip structure to increase safety caused by lip worn and torn

Examples of use

Food (Orange, Apple, Cheese ball, etc.)
Convex surface



Recommended Lifting Force (Max.)

Model	Volume (cm ³)	Lifting Force (Kg) - Perpendicular		
		- 20 kPa	- 60 kPa	- 90 kPa
BL5040	32.30	1.90	3.98	5.25

※ The lifting force above does not include safety factor

Material Specifications

Material	Hardness Shore (°)	Color	Temperature (°C)
NBR	60	Black	-20~110
Silicone - S3	30	Translucent Blue	-70~200
Silicone - S5	55	Red	-70~200
White Silicone – WS3	30	Translucent White	-70~200
White Silicone – WS5	55	Translucent White	-70~200
White Silicone – WS3 (FDA)	30	Translucent White	-70~200
White Silicone – WS5 (FDA)	55	Translucent White	-70~200

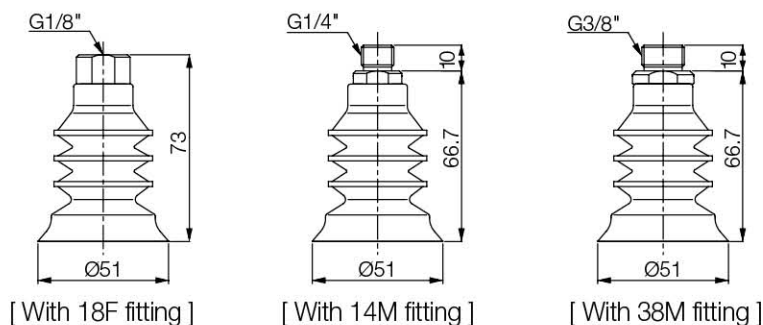
※ For additional material, see page 32~33

Material Resistance

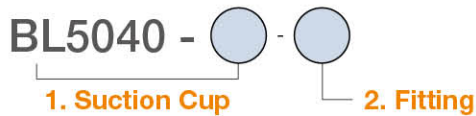
Description	NBR	Silicone	White silicone
Wear Resistance	Excellent	Good	Good
Oil	Excellent	Poor	Poor
Weather / Ozone	Fair	Excellent	Excellent
Alcohol	Good	Good	Good
Acid	Fair	Poor	Poor

Dimension

[Unit : mm]



I Build an Ordering No.



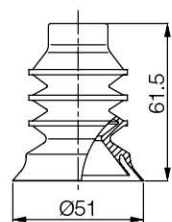
1. Suction cup	Description	Symbol
	Dual lip structure suction cup, inner 40mm - outer 50mm diameter, Nitrile (NBR)	BL5040-N
	Dual lip structure suction cup, inner 40mm - outer 50mm diameter, Silicone – Hardness 30°	BL5040-S3
	Dual lip structure suction cup, inner 40mm - outer 50mm diameter, Silicone – Hardness 55°	BL5040-S5
	Dual lip structure suction cup, inner 40mm - outer 50mm diameter, White silicone – Hardness 30°	BL5040-WS3
	Dual lip structure suction cup, inner 40mm - outer 50mm diameter, White silicone – Hardness 55°	BL5040-WS5
	Dual lip structure suction cup, inner 40mm - outer 50mm diameter, White silicone – Hardness 30° (FDA)	BL5040-WS3(FDA)
	Dual lip structure suction cup, inner 40mm - outer 50mm diameter, White silicone – Hardness 55° (FDA)	BL5040-WS5(FDA)

2. Fitting	Description	Symbol
	Fitting, G1/8 female	18F
	Fitting, G1/8 female, Mesh filter	M-18F
	Fitting, G1/4 male	14M
	Fitting, G1/4 male, Mesh filter	M-14M
	Fitting, G3/8 male	38M
	Fitting, G3/8 male, Mesh filter	M-38M

I Spare Parts – Rubber Parts

Part No.	Description	Weight (g)	Color
BL5040-N	Dual lip structure suction cup, inner 40mm - outer 50mm diameter, Nitrile (NBR)	24.28	Black
BL5040-S3	Dual lip structure suction cup, inner 40mm - outer 50mm diameter, Silicone – Hardness 30°	22.2	Translucent Blue
BL5040-S5	Dual lip structure suction cup, inner 40mm - outer 50mm diameter, Silicone – Hardness 55°	22.9	Red
BL5040-WS3	Dual lip structure suction cup, inner 40mm - outer 50mm diameter, White silicone – Hardness 30°	21.93	Translucent White
BL5040-WS5	Dual lip structure suction cup, inner 40mm - outer 50mm diameter, White silicone – Hardness 55°	22.15	Translucent White
BL5040-WS3(FDA)	Dual lip structure suction cup, inner 40mm - outer 50mm diameter, White silicone – Hardness 30° (FDA)	21.93	Translucent White
BL5040-WS5(FDA)	Dual lip structure suction cup, inner 40mm - outer 50mm diameter, White silicone – Hardness 55° (FDA)	22.15	Translucent White

[Unit : mm]



[Rubber part]

I Spare Parts – Fittings

Part No. (Code No.)	Fitting size	Description	Weight (g)
350 005 0101	18F	G1/8 female	11.24
350 005 0103	18F-F	G1/8 female, Mesh filter	11.27
350 005 0202	14M	G1/4 male	7.92
350 005 0204	14M-F	G1/4 male, Mesh filter	8.96
350 005 0302	38M	G3/8 male	11.47
350 005 0304	38M-F	G3/8 male, Mesh filter	11.51