

# LEVEL COMPENSATORS

## L5 series

### Features and Strengths

Reliable and precise pick up position for differences in height on the surface of material  
Configurations with varying sizes of spring and stroke



### Specifications

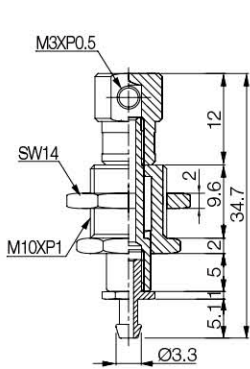
Model	Stroke (mm)	Weight (g)	Material	Model	Stroke (mm)	Weight (g)	Material
L505TU	5	13.32	Al, SS, BS	L510LTS	10	19.8	Al, SS, BS
L506TX	6	12		L510LTU	10	19.2	
L506TS	6	12		L510LTM	10	19	
L506TU	6	11		L510C	10	37	
L506TM	6	11		L510TL	10	35.52	
L506TX-SS	6	12.48		L510STX	10	16.06	
L506TS-SS	6	12.48		L510LTX-SS	10	20.28	
L506TU-SS	6	11.44		L510LTS-SS	10	17.68	
L506TM-SS	6	11.44		L510LTU-SS	10	17.03	
L507T	7	17		L510LTM-SS	10	19.76	
L508W	8	5.07		L515T	15	20	
L508FW	8	15.27		L515T-M4F	15	25.92	
L510	10	33		L520	20	36	
L510T	10	30		L520T	20	33	
L510LTX	10	19.5		L520TF	20	20	

### Build an Ordering No.

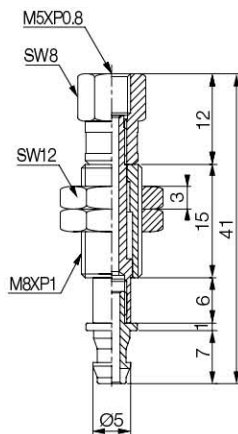
1. Level compensator	Description	Symbol
	Level compensator, 6mm stroke, Direct fitting connection for VB6X, VU1.5X, VU2X & VU4X	L506TX
	Level compensator, 6mm stroke, Direct fitting connection for VU10, VU15, VF15, VB10, VB12 & VB15	L506TS
	Level compensator, 6mm stroke, Direct fitting connection for VU4, VU6, VU8, VB5 & VB8	L506TU
	Level compensator, 6mm stroke, Direct fitting connection for VU2 & VU3	L506TM
	Level compensator, 6mm stroke, Stainless, Direct fitting connection for VB6X, VU1.5X, VU2X & VU4X	L506TX-SS
	Level compensator, 6mm stroke, Stainless, Direct fitting connection for VU10, VU15, VF15, VB10, VB12 & VB15	L506TS-SS
	Level compensator, 6mm stroke, Stainless, Direct fitting connection for VU4, VU6, VU8, VB5 & VB8	L506TU-SS
	Level compensator, 6mm stroke, Stainless, Direct fitting connection for VU2 & VU3	L506TM-SS
	Level compensator, 7mm stroke, Connection – Fitting M5 female	L507T
	Level compensator, 8mm stroke, Connection – Fitting M5 male	L508W
	Level compensator, 8mm stroke, Connection – Fitting M5 female	L508FW
	Level compensator, 10mm stroke, Connection – Fitting M5 male	L510
	Level compensator, 10mm stroke, Connection – Fitting M5 male	L510T
	Level compensator, 10mm stroke, Direct fitting connection for VB6X, VU1.5X, VU2X & VU4X	L510LTX
	Level compensator, 10mm stroke, Direct fitting connection for VU10, VU15, VF15, VB10, VB12 & VB15	L510LTS
	Level compensator, 10mm stroke, Direct fitting connection for VU4, VU6, VU8, VB5 & VB8	L510LTU
	Level compensator, 10mm stroke, Direct fitting connection for VU2 & VU3	L510LTM
	Level compensator, 10mm stroke, Connection – Fitting M5 female	L510C
	Level compensator, 10mm stroke, Stainless, Direct fitting connection for VB6X, VU1.5X, VU2X & VU4X	L510LTX-SS
	Level compensator, 10mm stroke, Stainless, Direct fitting connection for VU10, VU15, VF15, VB10, VB12 & VB15	L510LTS-SS
	Level compensator, 10mm stroke, Stainless, Direct fitting connection for VU4, VU6, VU8, VB5 & VB8	L510LTU-SS
	Level compensator, 10mm stroke, Stainless, Direct fitting connection for VU2 & VU3	L510LTM-SS
	Level compensator, 15mm stroke, Connection – Fitting M5 female	L515T
	Level compensator, 15mm stroke, Connection – Fitting M4 female	L515T-M4F
	Level compensator, 20mm stroke, Connection – Fitting M5 male	L520
	Level compensator, 20mm stroke, Connection – Fitting M5 male	L520T
	Level compensator, 20mm stroke, Connection – Fitting M5 female	L520TF

## Dimension

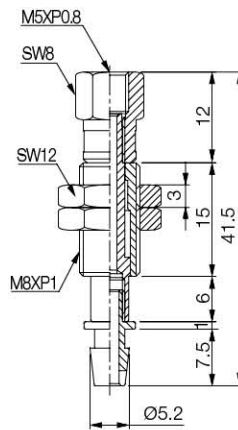
[ Unit : mm ]



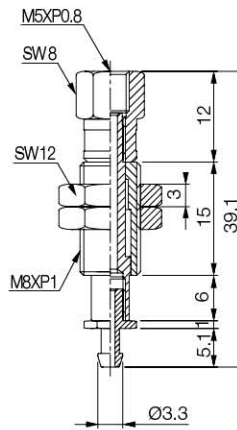
[L505TU]



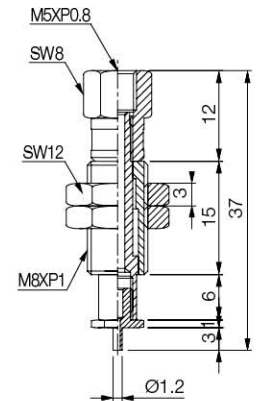
[L506TX & L506TX-SS]



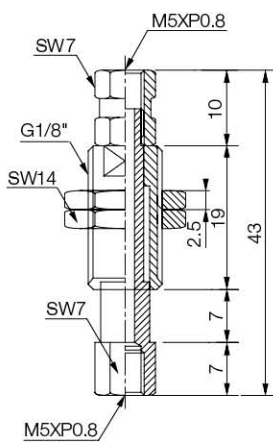
[L506TS & L506TS-SS]



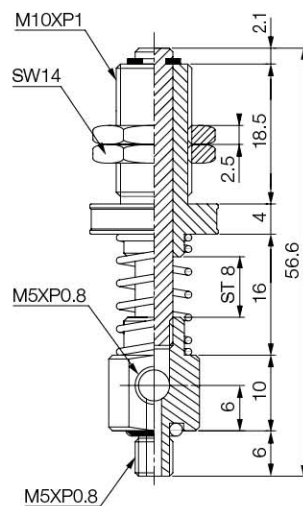
[L506TU & L506TU-SS]



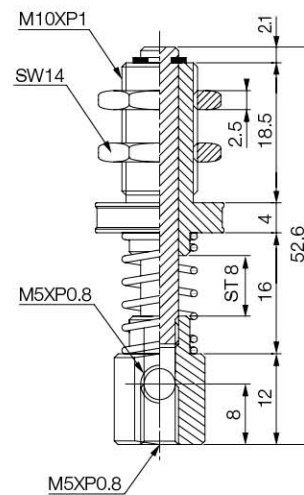
[L506TM & L506TM-SS]



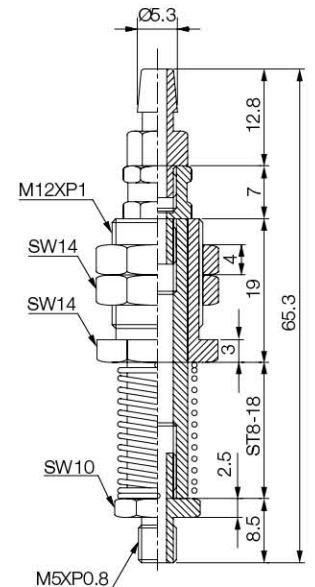
[L507T]



[L508W]



[L508FW]

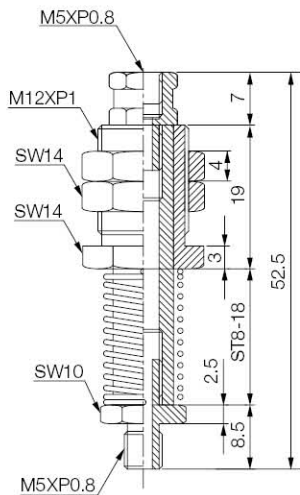


[L510]

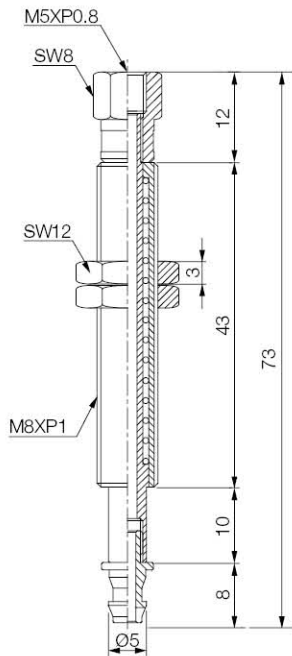
# LEVEL COMPENSATORS

## Dimension

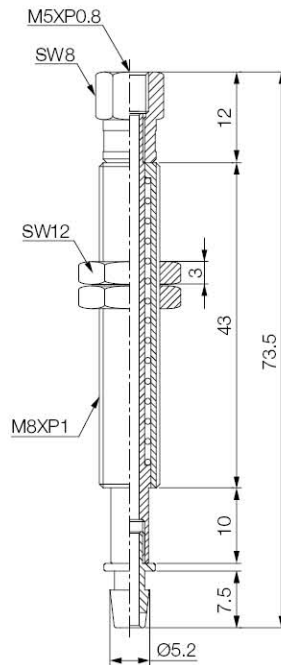
[Unit : mm]



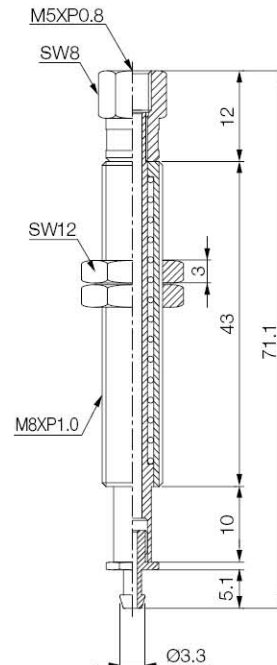
[L510T]



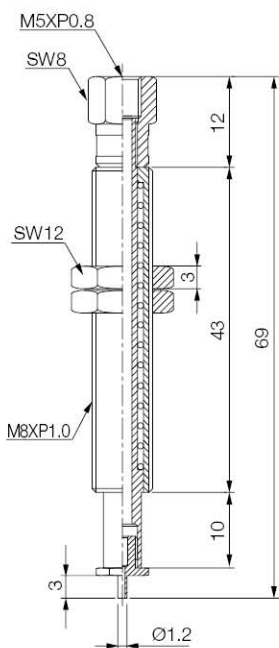
[L510LTX & L510LTX-SS]



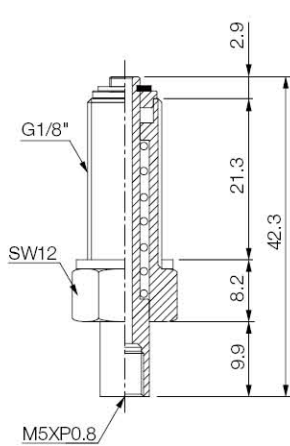
[L510LTS & L510LTS-SS]



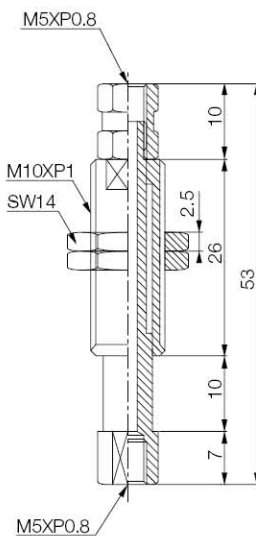
[L510LTU & L510LTU-SS]



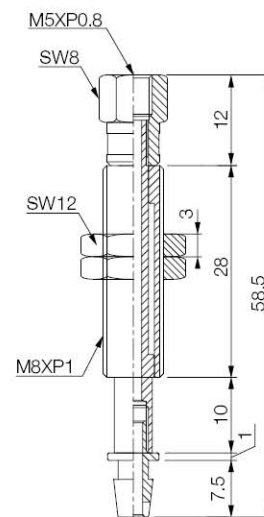
[L510LTM & L510LTM-SS]



[L510C]



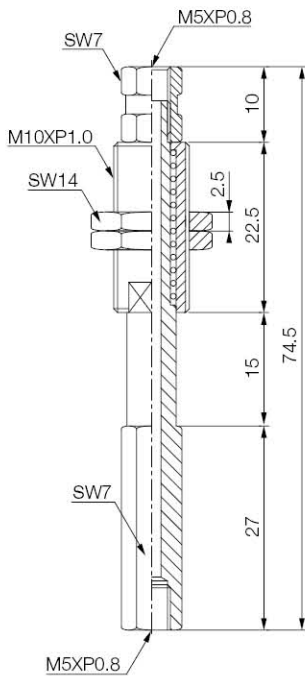
[L510TL]



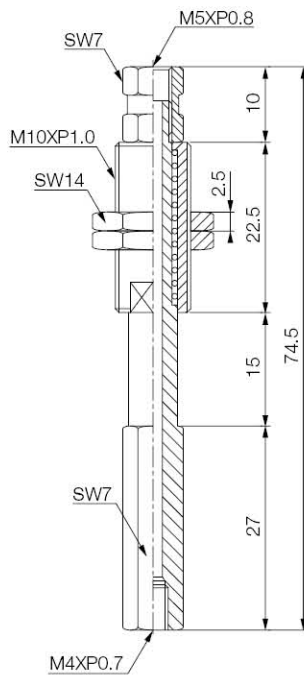
[L510STX]

## Dimension

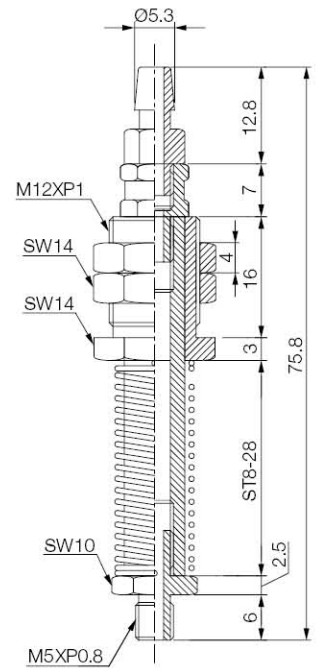
[Unit : mm]



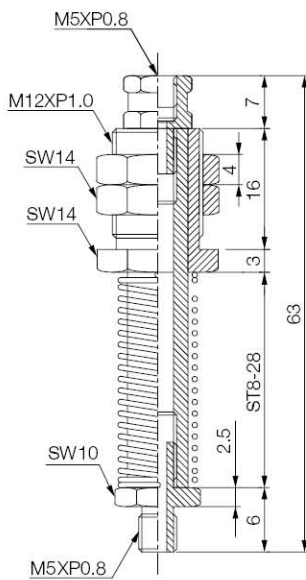
[L515T]



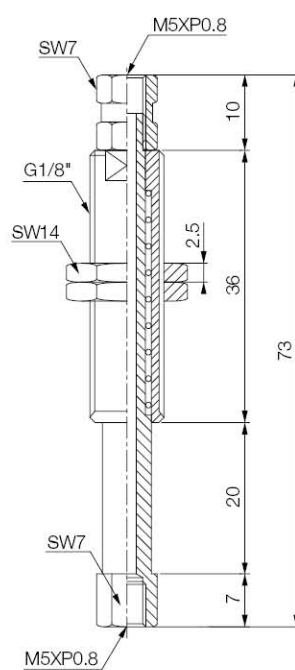
[L515T-M4F]



[L520]



[L520T]



[L520TF]