

L38 series

Features and Strengths

Reliable and precise pick up position for differences in height on the surface of material
Configurations with varying sizes of spring and stroke



Specifications

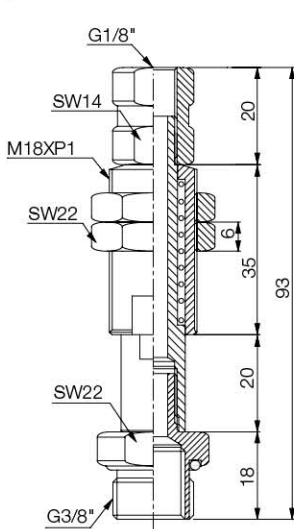
Model	Stroke (mm)	Weight (g)	Material
L3820TS	20	79.6	Al, SS, BS
L3830TS	30	85.36	Al, SS, BS
L3850LT	50	88.3	Al, SS, BS

Build an Ordering No.

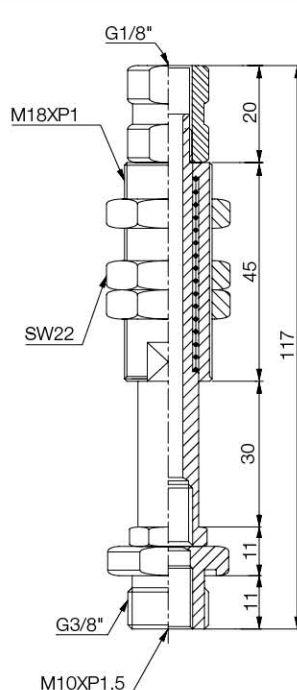
1. Level compensator	Description	Symbol
	Level compensator, 20mm stroke, Connection – Fitting G3/8" male	L3820TS
	Level compensator, 30mm stroke, Connection – Fitting G3/8" male	L3830TS
	Level compensator, 50mm stroke, Connection – Fitting G3/8" male	L3850LT

Dimension

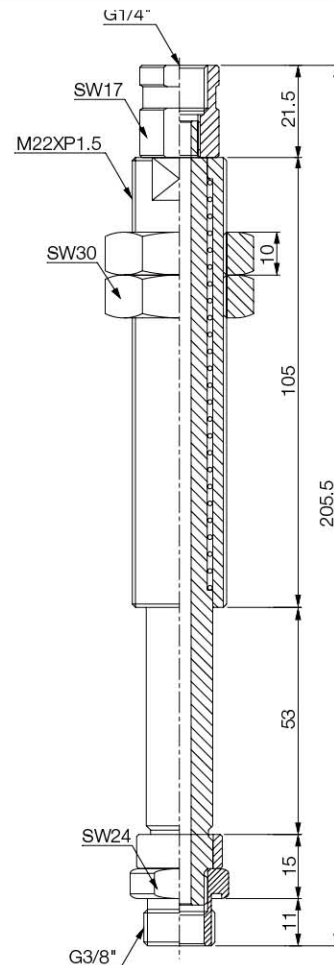
[Unit : mm]



[L3820TS]



[L3830TS]



[L3850LT]