

LEVEL COMPENSATORS

L18 series

Features and Strengths

Reliable and precise pick up position for differences in height on the surface of material
Configurations with varying sizes of spring and stroke



Specifications

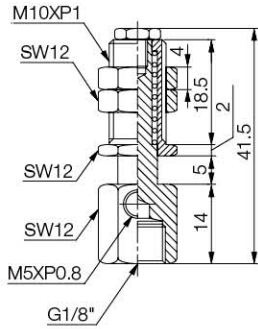
Model	Stroke (mm)	Weight (g)	Material	Model	Stroke (mm)	Weight (g)	Material
L1805F	5	24	Al, SS, BS	L1830	30	54	Al, SS, BS
L1805M	5	28		L1830T	30	60	
L1808W	8	16.1		L1830TS	30	130	
L1810T	10	44		L1850	50	105	
L1810TS	10	73		L1850T	50	66	
L1810TSE	10	93		L1850TS	50	89.79	
L1815	15	86		L1870TS	70	129.56	
L1815T	15	36		LBX1820T	20	152.18	
L1820T	20	56		LBX1830T	30	164.81	
L1820TS	20	83		LBX1850T	50	181.77	

Build an Ordering No.

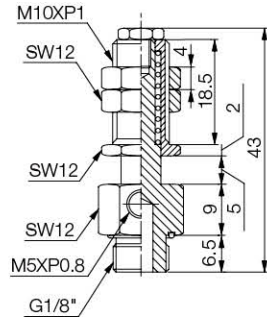
1. Level compensator	Description	Symbol
	Level compensator, 5mm stroke, Connection – Fitting G1/8" female	L1805F
	Level compensator, 5mm stroke, Connection – Fitting G1/8" male	L1805M
	Level compensator, 8mm stroke, Connection – Fitting G1/8" male	L1808W
	Level compensator, 10mm stroke, Connection – Fitting G1/8" male	L1810T
	Level compensator, 10mm stroke, Connection – Fitting G1/8" male	L1810TS
	Level compensator, 10mm stroke, Connection – Fitting M10 female	L1810TS-M10F
	Level compensator, 10mm stroke, Connection – Fitting G1/8" male	L1810TSE
	Level compensator, 15mm stroke, Connection – Fitting G1/8" male	L1815
	Level compensator, 15mm stroke, Connection – Fitting G1/8" male	L1815T
	Level compensator, 20mm stroke, Connection – Fitting G1/8" male	L1820T
	Level compensator, 20mm stroke, Connection – Fitting G1/8" male	L1820TS
	Level compensator, 30mm stroke, Connection – Fitting G1/8" male	L1830
	Level compensator, 30mm stroke, Connection – Fitting G1/8" male	L1830T
	Level compensator, 30mm stroke, Connection – Fitting G1/8" male	L1830TS
	Level compensator, 50mm stroke, Connection – Fitting G1/8" male	L1850
	Level compensator, 50mm stroke, Connection – Fitting G1/8" male	L1850T
	Level compensator, 50mm stroke, Connection – Fitting M10 female	L1850TS-M10F
	Level compensator, 70mm stroke, Connection – Fitting G1/8" male	L1870TS

Dimension

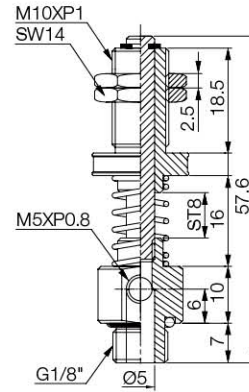
[Unit : mm]



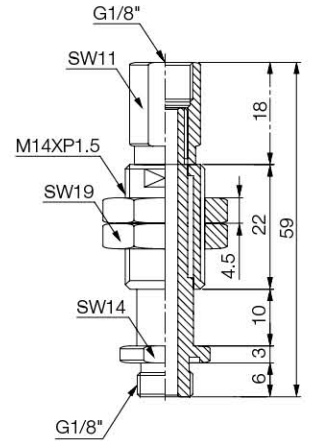
[L1805F]



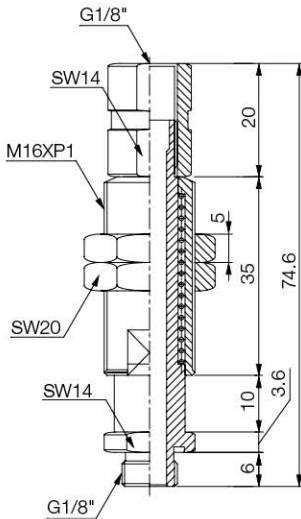
[L1805M]



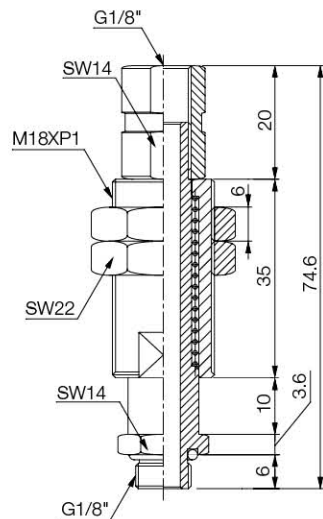
[L1808W]



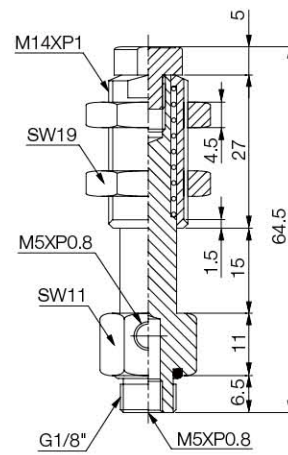
[L1810T]



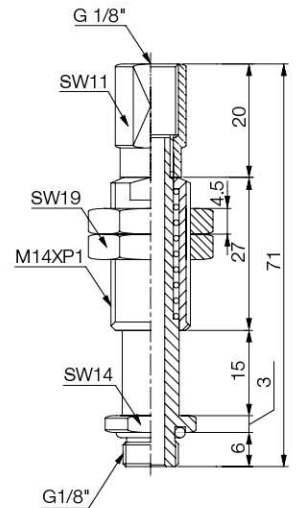
[L1810TS]



[L1810TSE]



[L1815]

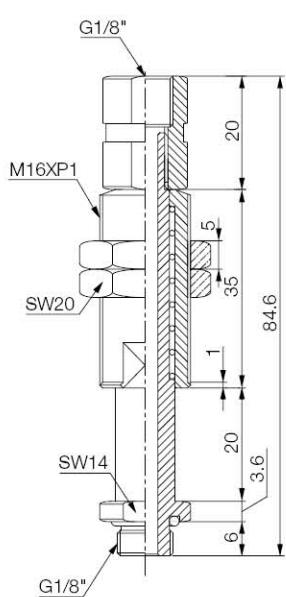


[L1815T]

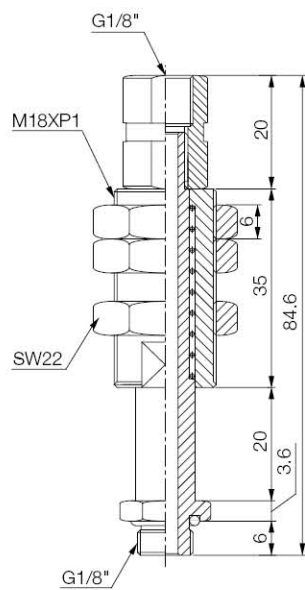
LEVEL COMPENSATORS

Dimension

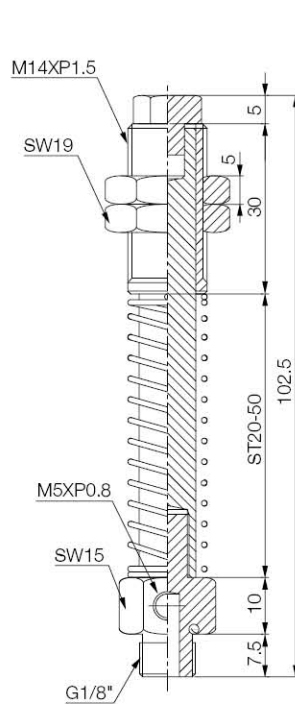
[Unit : mm]



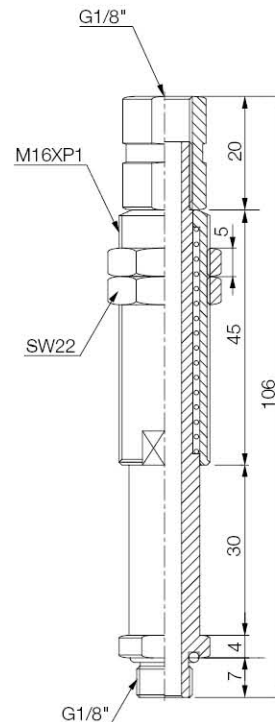
[L1820T]



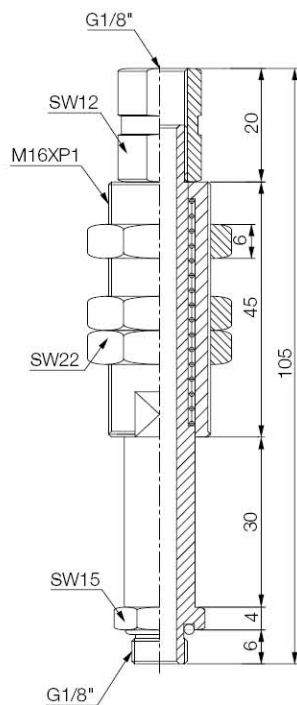
[L1820TS]



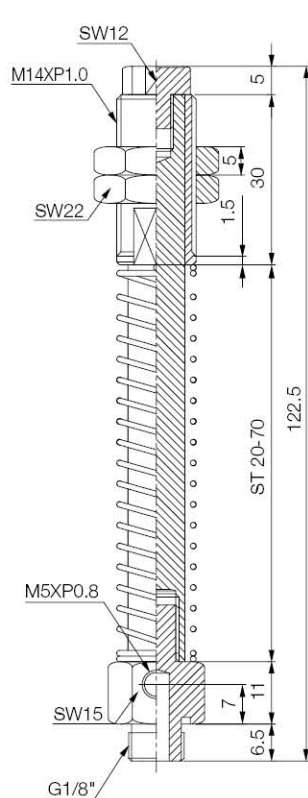
[L1830]



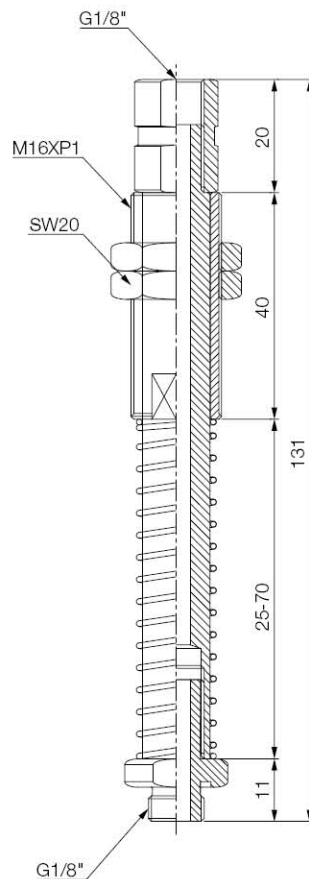
[L1830T]



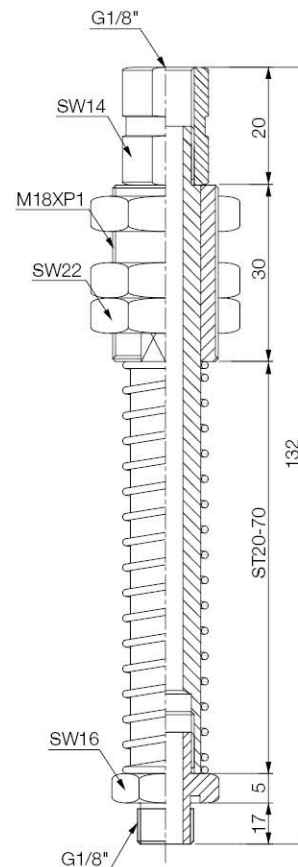
[L1830TS]



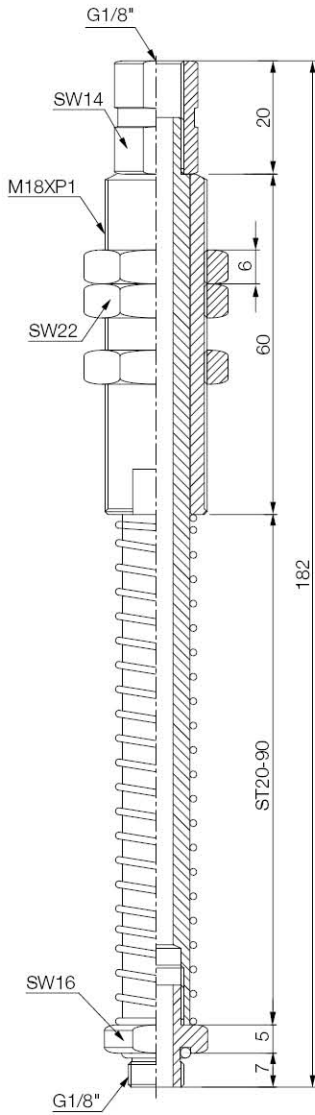
[L1850]



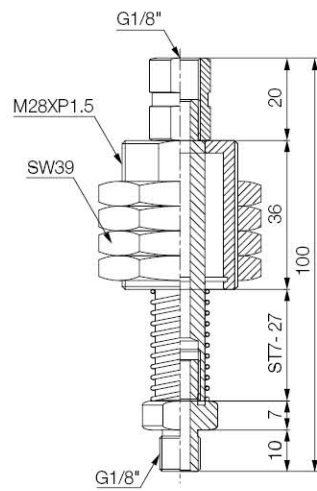
[L1850T]



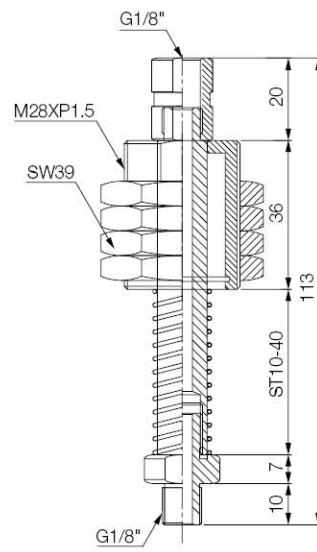
[L1850TS]



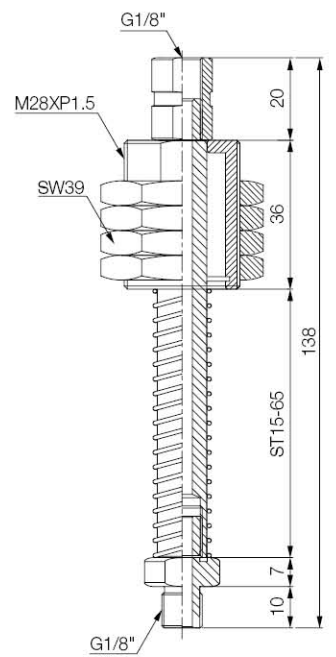
[L1870TS]



[LBX1820T]



[LBX1830T]



[LBX1850T]