

# LEVEL COMPENSATORS

## L14 series

### Features and Strengths

Reliable and precise pick up position for differences in height on the surface of material  
Configurations with varying sizes of spring and stroke



### Specifications

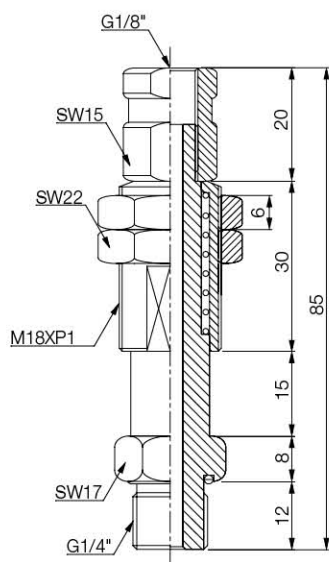
Model	Stroke (mm)	Weight (g)	Material
L1415T	15	66.33	Al, SS, BS
L1420T	20	45.05	Al, SS, BS
L1430LTS	30	100.75	Al, SS, BS

### Build an Ordering No.

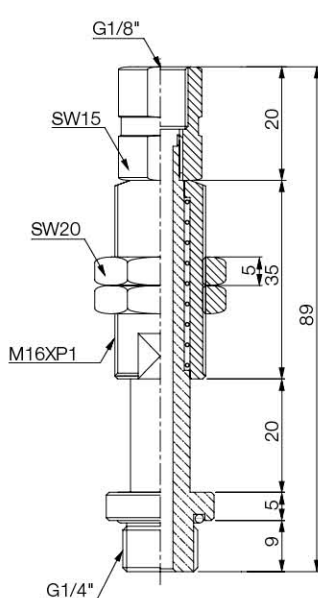
1. Level compensator	Description	Symbol
	Level compensator, 15mm stroke, Connection – Fitting G1/4" male	L1415T
	Level compensator, 20mm stroke, Connection – Fitting G1/4" male	L1420T
	Level compensator, 30mm stroke, Connection – Fitting G1/4" male	L1430LTS

### Dimension

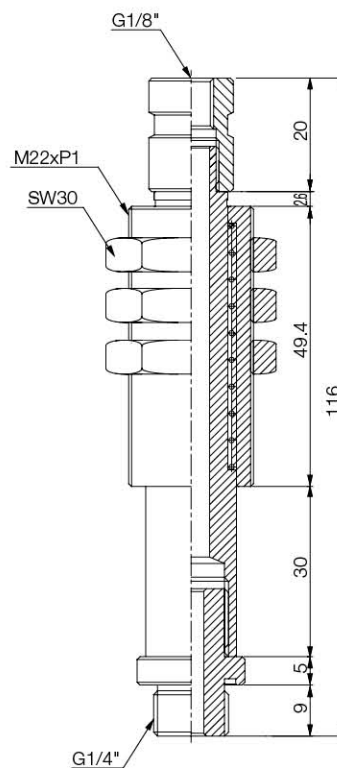
[ Unit : mm ]



[L1415T]



[L1420T]



[L1430LTS]