

Electrovalves

3-way electrovalves servo-assisted by vacuum



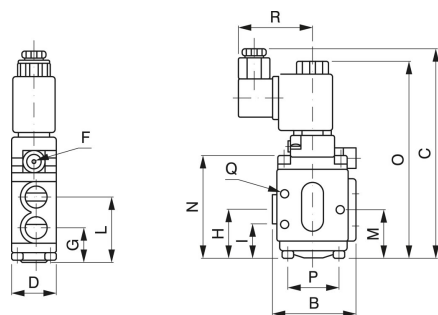
The solenoid valve is fitted with a 360° revolving coil encapsulated in a polyamide resin with class F 155° C fibre glass. Connection is made with an incorporated HIRSCHMANN type socket.

- Valve body: painted aluminium
- Spring: stainless steel
- Gaskets: Wulkollan
- Absorbed power: max 11 Watt
- Standard voltage: supply: 24 -110 - 220 V. 50/60 Hz 12 - 24 DC 100% ED
- Working limits: rated voltage +10% -5% with hot coil.
- Working temperature of coil: -10°C +45°C
- Fluid temperature: -5°C + 60°C
- Degree of protection: IP 65



Art. ELV/CD

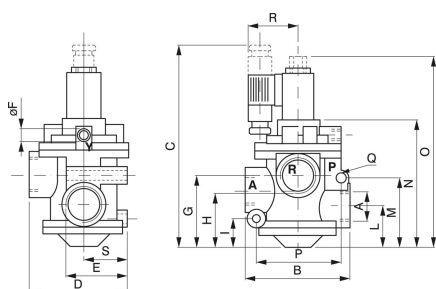
- NC
- 3=P OUTLET
- 2=A USE
- 1=R PUMP
- NO
- 3=P PUMP
- 2=A USE
- 1=R OUTLET



Art. ELV/CD 1/4" - 3/8"

Art.	A	Orif. Ø	B	C	D	F	G	H	I	L	M	N	O	P	Q	R	S	Capacity m ³ /h
ELV/CD1/4"	G1/4"	8	58.5	150	32	G1/8"	24	36	25	47	35.7	74	141	40	4.5	51.5	/	4
ELV/CD3/8"	G3/8"	10	58.5	150	32	G1/8"	24	36	25	47	35.7	74	141	40	4.5	51.5	/	10

Electrovalves



Art. ELV/CD 1/2" - 1-1/2"

Art.	A	Orif. Ø	B	C	D	E	F	G	H	I	L	M	N	O	P	Q	R	S	Capacity m ³ /h
ELV/CD1/2"	G1/2"	15	78.5	164	75	47	G1/8"	50.5	41	21	30	54.5	100	154	63	6.4	50.5	35	20
ELV/CD3/4"	G3/4"	19	78.5	164	75	47	G1/8"	50.5	41	21	30	54.5	100	154	63	6.4	50.5	35	35
ELV/CD1"	G1"	25	101	174	89	55	G1/8"	64	51	25.5	38	62.5	115	174	76	8.5	50	40	90
*ELV/CD1-1/2"	1-1/2"	39	158	222	138	98	G1/8"	113	81	69	69	34	158	222	113	10.5	50	59	180

* A 755 mm Hg

The 3-way vacuum valves can operate as 2-way systems, with the use of a plug.