

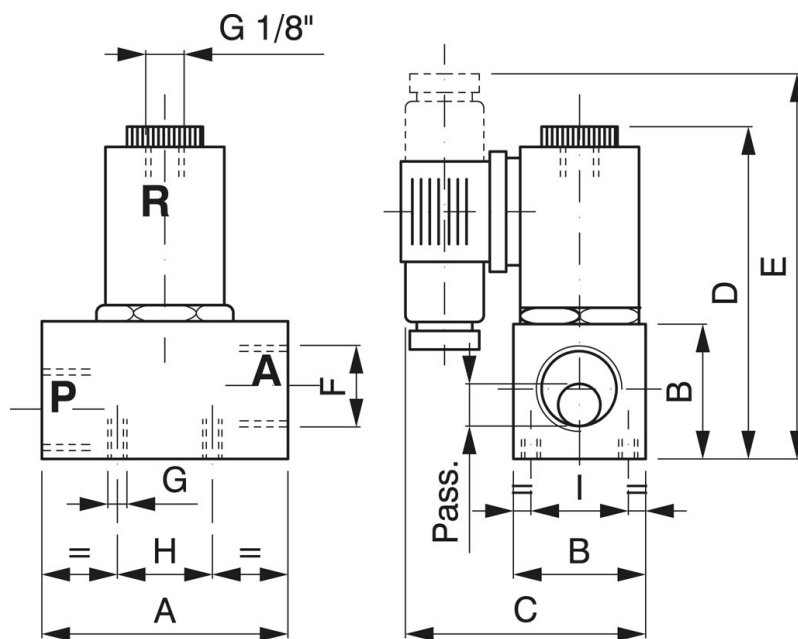
2 and 3 way electro-pilots normally closed

To all intents and purposes, these can be defined as direct control mini-solenoid valves, normally closed with the following limitations: fewer cycles per minute, determined by the fixed outlet dimension of 3mm, and the use of small capacity pumps.

The electro-pilot comes with a 360° revolving coil encapsulated in a polyamide resin with class F 155°C fibre glass.

Connection is made with an incorporated HIRSCHMANN type socket.

- Power absorbed: MAX 11 watt
- Standard voltage supply: 24 - 110 - 220V. 50/60 Hz 110-48-24-12 DC 100% ED
- Working limits: rated voltage +5% -10% with hot coil.
- Working temperature of coil: -10°C +45°C
- Max fluid temperature: +80°C
- Degree of protection of connector



Art. ELP 2 - ELP 3

Art.	A	B	C	D	E	F	G	H	I	Ø Orif.	Capacity m ³ /h
ELP/2 1/4	44	25	62.5	81	86	1/4"	M 6	15.5	15.5	6	5
ELP/2 1/2	65	35	65	90	98	1/2"	M 6	25	28	11	10
ELP/3 1/4	44	25	62.5	81	86	1/4"	M 6	15.5	15.5	6-3*	5
ELP/3 1/2	65	35	65	90	98	1/2"	M 6	25	28	11-3*	10

* Outlet pilot