

5 WAY DISTRIBUTORS FOR PNEUMATIC APPLICATIONS



5 WAY PNEUMATIC DISTRIBUTORS (PIPE MOUNTING/SUB-BASE MOUNTING)



5/2

Actuation	Body	Function	Port Size	Orifice (mm)	Qn (l/min)	MOPD (bar)	Max Fluid Temp. (°C)	Page Parker Valves	Page Parker LUCIFER® Valves
Pilot Operated	Anodized aluminium/ Pipe mounting	Normally Closed	1/8"-1/4"	6	630	10	75	-	276
			1/4"	6 to 14	2500	40	75	-	276
			1/2"	14	2500	15	75	-	278
		Control by Electric Impulse	1/8"-1/4"	6	630	10	75	-	280
			1/4"	8 to 14	2500	15	75	-	280
			Anodized aluminium/ Pipe mounting/Poppet	Normally Closed	1/8"	4	400	10	75
	Dual Solenoids	1/8"		4	315	10	75	-	282
	Anodized aluminium/ Sub-base mounting	Normally Closed		1/8"	6	630	10	75	-
		Control by Electric Impulse	1/8"	6	630	10	75	-	284
		Anodized aluminium/ Sub-base mounting/ Poppet	Normally Closed	-	15	5000	10	75	-
	1/8"			15	5000	10	75	-	286
	4 mm			4	400	10	75	-	286
	Dual Solenoids		4 mm	4	315	10	75	-	288
	Control by Electric Impulse		-	15	5000	10	75	-	288
	Dual Solenoids		1/8"	6	800	10	75	-	288
Externally Operated	Anodized aluminium/ CETOP/Poppet	Normally Closed	1/4"	8	1400	10	75	-	290
			1/4"	8	1400	10	100	-	292
	Zinc Alloy/Pipe mounting/Poppet	Normally Closed	-	6 to 8	800	10	75	-	292
			1/8"	6	800	10	75	-	294
		Control by Electric Impulse	1/8"	6	800	10	75	-	296
			POM/CETOP/Poppet	Normally Closed	1/8"	7	800	10	75

5/2

5 WAY PNEUMATIC DISTRIBUTORS (PIPE MOUNTING/SUB-BASE MOUNTING) PILOT OPERATED



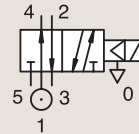
Process



Industrial Equipment

ANODIZED ALUMINIUM PIPE MOUNTING

NORMALLY CLOSED



Port size	Orifice Ø	Flow factor	Operating Pressure Differential		Fluid Temp.		Seat Seal	Parker LUCIFER® Valves			IS	Power		Coil Group	Dwg. No.	
			Min	Max (MOPD)	Min	Max		Valve Ref.	Housing Ref.	Coil Ref.		AC W	DC W			
BSP	1	Qn l/min	bar	AC bar	DC bar	°C	°C									
1/8"-1/4"	6	630	1	10	10	-10	75	FKM	341B34 ₃	4270	481000	8	8	2.0	3286	
	6	630	1	10	10	-10	75	FKM	341B34 ₃	2995	481865	8	9	2.0	3286	
	6	630	1	10	10	-10	75	FKM	341B34 ₃	4270	486265	14	14	2.0	3286	
	6	630	1	10	10	-10	75	FKM	341B3403	4270	481000	8	8	2.1	3286	
	6	630	1	10	10	-10	75	FKM	341B3403	2995	481865	8	9	2.1	3286	
	6	560	1	-	10	-10	55	NBR	341B3490	2995	483580.01	*	-	0.5 to 3	7.0/8.0	3561
	6	560	1	-	10	-10	75	NBR	341B3490	-	488660.01	*	-	0.3 to 3	7.0/8.0	3561
1/4"	6	630	1	10	10	-25	75	PUR	341B3440	4270	481000	8	8	2.1	3286	
	6	630	1	10	10	-25	75	PUR	341B3440	2995	481865	8	9	2.1	3286	
	8	640	1	40	40	-10	75	NBR	341B02 ₂	4270	481000	8	8	2.1	8115	
	8	640	1	40	40	-10	75	NBR	341B02 ₂	2995	481865	8	9	2.1	8115	

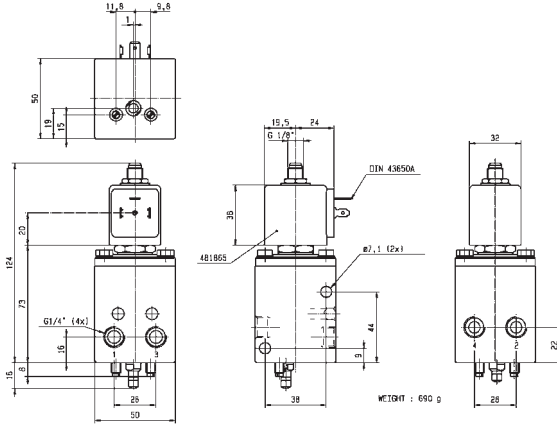
Notes:

1. Valve only compatible with air and neutral gases
2. Valve with pilot return pipe on exhaust port
3. With flow regulator

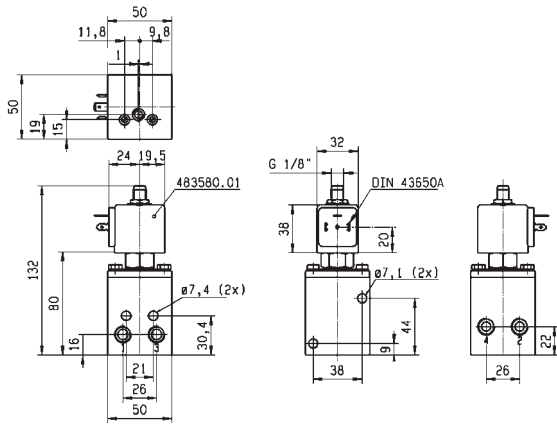
5 WAY VALVES



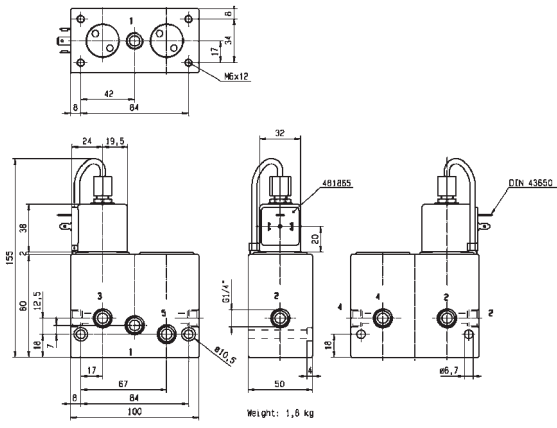
For this page	Port size	Orifice (mm)	Qn (l/min)	MOPD (bar)	Fluid Temp (°C)	Amb Temp (°C)
From	1/8"-1/4"	6	560	10	-25	-25
To	1/4"	8	640	40	75	50



Drawing 3286



Drawing 3561

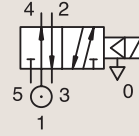


Drawing 8115

5/2

5 WAY PNEUMATIC DISTRIBUTORS (PIPE MOUNTING/SUB-BASE MOUNTING) PILOT OPERATED

ANODIZED ALUMINIUM
PIPE MOUNTING



NORMALLY CLOSED

Port size	Orifice Ø	Flow factor	Operating Pressure Differential			Fluid Temp.		Seat Seal	Parker LUCIFER® Valves			IS	Power		Coil Group	Dwg. No.
			Min	Max (MOPD)	Max	Min	Max		Valve Ref.	Housing Ref.	Coil Ref.		AC W	DC W		
BSP	1	Qn l/min	bar	AC bar	DC bar	°C	°C									
1/4"	8	1000	1	15	15	-10	75	NBR	E341B01	2995	481865	8	9	2.1	3309	
	8	1000	1	15	15	-10	75	NBR	E341B01	4270	485100	8	8	2.1	3309	
	14	2500	2	15	15	-10	75	NBR	E341F21	4270	481000	8	8	2.1	3310	
1/2"	14	2500	1	15	15	-10	75	NBR	E341B21 ₁	2995	481865	8	9	2.1	3315	
	14	2500	1	15	15	-10	75	NBR	E341B21 ₁	-	483371	8	8	2.1	3315	

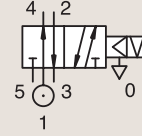
Notes:

- 1.Valve only compatible with air and neutral gases
- 2.Valve with pilot return pipe on exhaust port
- 3.With flow regulator

5/2

5 WAY PNEUMATIC DISTRIBUTORS (PIPE MOUNTING/SUB-BASE MOUNTING) PILOT OPERATED

ANODIZED ALUMINIUM
PIPE MOUNTING



CONTROL BY ELECTRIC IMPULSE

Port size	Orifice Ø	Flow factor	Operating Pressure Differential			Fluid Temp.		Seat Seal	Parker LUCIFER® Valves			Power		Coil Group	Dwg. No.
			Min	Max (MOPD)		Min	Max		Valve Ref.	Housing Ref.	Coil Ref.	AC W	DC W		
BSP	1	Qn l/min	bar	AC bar	DC bar	°C	°C								
1/8"-1/4"	6	630	1	10	-	-10	75	NBR	345B34 ₁₂	4269	484990	11	-	4.0	3286
	6	630	1	-	10	-10	75	NBR	345B34 ₁₂	4269	485400	-	13	4.0	3286
1/4"	8	1000	1	15	-	-10	75	NBR	345B04	4269	484990	11	-	4.0	3309
	8	1000	1	-	15	-10	75	NBR	345B04	4269	485400	-	13	4.0	3309
	14	2500	1	15	-	-10	75	NBR	345B24	4269	484990	11	-	4.0	3315
	14	2500	1	-	15	-10	75	NBR	345B24	4269	485400	-	13	4.0	3315

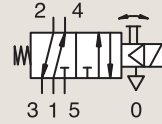
Notes:

- 1. Valve only compatible with air and neutral gases
- 2. With flow regulator

5/2

5 WAY PNEUMATIC DISTRIBUTORS (PIPE MOUNTING/SUB-BASE MOUNTING) PILOT OPERATED

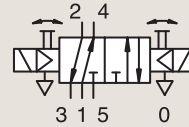
ANODIZED ALUMINIUM PIPE MOUNTING



NORMALLY CLOSED

Port size	Orifice Ø	Flow factor	Operating Pressure Differential			Fluid Temp.		Seat Seal	Parker LUCIFER® Valves			Power		Coil Group	Dwg. No.
			Min	Max (MOPD)		Min	Max		Valve Ref.	Housing Ref.	Coil Ref.	AC W	DC W		
BSP	mm	Qn l/min	bar	AC bar	DC bar	°C	°C								
1/8"	4	400	1	10	10	-10	75	NBR	341L9101	-	482605	4	5	1.1	3894
	4	400	1	10	10	-10	75	NBR	341L9101	-	482606	2	2.5	1.1	3894
	4	400	1	10	10	-10	75	NBR	341L9101	8993	488980	2	2.5	1.1	3894
	4	400	1	10	10	-10	75	NBR	341L9101	8993	495865	2	2.5	1.1	3894

ANODIZED ALUMINIUM PIPE MOUNTING



DUAL SOLENOIDS

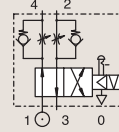
Port size	Orifice Ø	Flow factor	Operating Pressure Differential			Fluid Temp.		Seat Seal	Parker LUCIFER® Valves			Power		Coil Group	Dwg. No.
			Min	Max (MOPD)		Min	Max		Valve Ref.	Housing Ref.	Coil Ref.	AC W	DC W		
BSP	mm	Qn l/min	bar	AC bar	DC bar	°C	°C								
1/8"	4	315	2	10	10	-10	75	NBR	347L9101	-	482605	4	5	1.1	3896
	4	315	2	10	10	-10	75	NBR	347L9101	-	482606	2	2.5	1.1	3896
	4	315	2	10	10	-10	75	NBR	347L9101	8993	488980	2	2.5	1.1	3896
	4	315	2	10	10	-10	75	NBR	347L9101	8993	495865	2	2.5	1.1	3896

5/2

5 WAY PNEUMATIC DISTRIBUTORS (PIPE MOUNTING/SUB-BASE MOUNTING) PILOT OPERATED

ANODIZED ALUMINIUM SUB-BASE MOUNTING

NORMALLY CLOSED

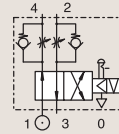


Port size	Orifice Ø 1 mm	Flow factor Qn l/min	Operating Pressure Differential			Fluid Temp.		Seat Seal	Parker LUCIFER® Valves			Power		Coil Group	Dwg. No.
			Min bar	Max (MOPD) AC bar DC bar	Min °C	Max °C	Valve Ref.		Housing Ref.	Coil Ref.	AC W	DC W			
SB	6	630	1	10	10	-10	75	FKM	341F34 ₁	2995	481865	8	9	2.1	3287
	6	630	1	10	10	-10	75	FKM	341F34 ₁	4270	481000	8	8	2.1	3287
	6	630	1	10	10	-10	75	FKM	341F3403	2995	481865	8	9	2.1	3287
	6	630	1	10	10	-10	75	FKM	341F3403	4270	481000	8	8	2.1	3287
	6	630	1	10	10	-25	75	NBR	341F3440	2995	481865	8	9	2.1	3287

Notes:
1. With flow regulator

ANODIZED ALUMINIUM SUB-BASE MOUNTING

CONTROL BY ELECTRIC IMPULSE

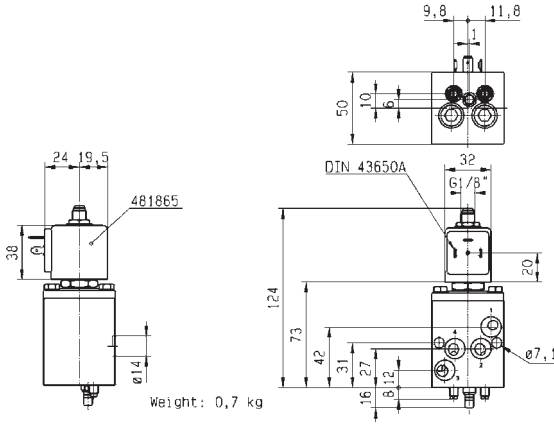


Port size	Orifice Ø 1 mm	Flow factor Qn l/min	Operating Pressure Differential			Fluid Temp.		Seat Seal	Parker LUCIFER® Valves			Power		Coil Group	Dwg. No.
			Min bar	Max (MOPD) AC bar DC bar	Min °C	Max °C	Valve Ref.		Housing Ref.	Coil Ref.	AC W	DC W			
SB	6	630	1	10	-	-10	75	FKM	345F34 ₁	4269	484990	11	-	4.0	3287
	6	630	1	-	10	-10	75	FKM	345F34 ₁	4269	485400	-	13	4.0	3287

Notes:
1. With flow regulator



For this page	Port size	Orifice (mm)	Qn (l/min)	MOPD (bar)	Fluid Temp (°C)	Amb Temp (°C)
From	SB	6	630	10	-25	-25
To	SB	6	630	10	75	50

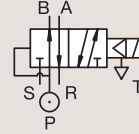


Drawing 3287

5/2

5 WAY PNEUMATIC DISTRIBUTORS (PIPE MOUNTING/SUB-BASE MOUNTING) PILOT OPERATED

ANODIZED ALUMINIUM SUB-BASE MOUNTING

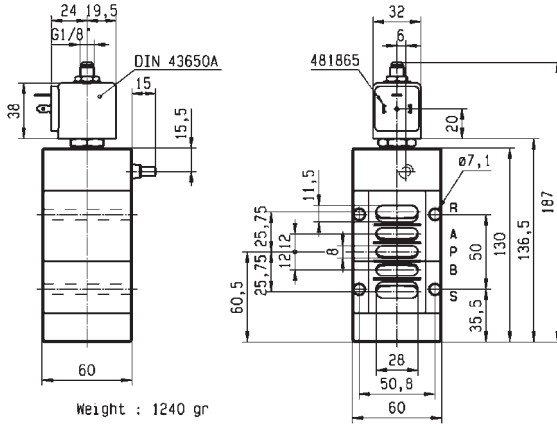


NORMALLY CLOSED

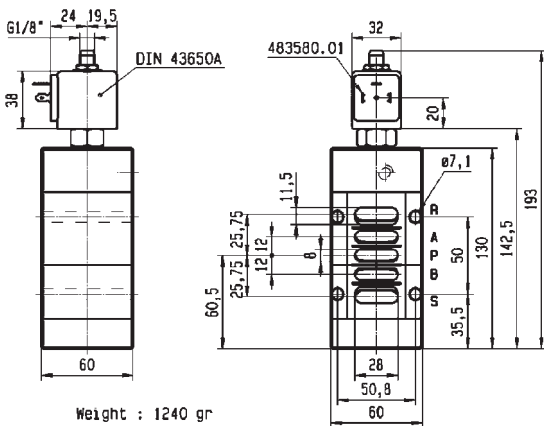
Port size	Orifice Ø 1 mm	Flow factor Qn l/min	Operating Pressure Differential			Fluid Temp.		Seat Seal	Parker LUCIFER® Valves			IS	Power		Coil Group	Dwg. No.
			Min bar	Max (MOPD)		Min °C	Max °C		Valve Ref.	Housing Ref.	Coil Ref.		AC W	DC W		
				AC bar	DC bar											
SB	15	5000	0.5	10	10	-10	75	FKM	E341L21	2995	481865	8	9	2.1/3.0	3299	
	15	5000	0.5	10	10	-10	75	FKM	E341L21	-	495905	8	8	2.1/3.0	3299	
SB	15	5000	0.5	-	10	-10	55	NBR	341L2190	2995	483580.01	*	-	0.5 to 3	7.0	8271
	15	5000	0.5	-	10	-10	75	NBR	341L2190	-	488660.01	*	-	0.3 to 3	7.0	8271
	15	5000	0.5	-	10	-10	75	NBR	341L2190	-	495910	*	-	0.3 to 3	7.0	8271
SB	4	400	1	10	10	-10	75	NBR	341L9201	-	482605	-	5	1.1	3895	
	4	400	1	10	10	-10	75	NBR	341L9201	-	482606	2	2.5	1.1	3895	
	4	400	1	10	10	-10	75	NBR	341L9201	8993	488980	2	2.5	1.1	3895	
	4	400	1	10	10	-10	75	NBR	341L9201	8993	495865	2	2.5	1.1	3895	



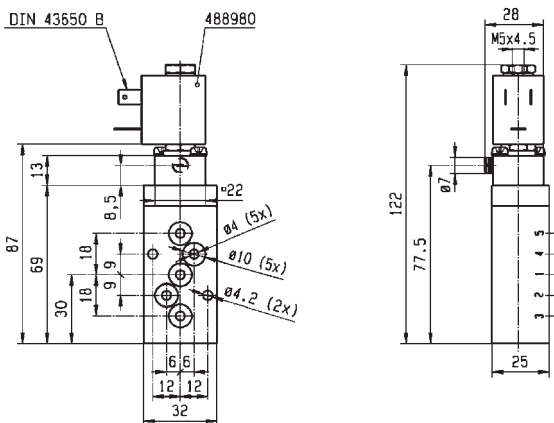
For this page	Port size	Orifice (mm)	Qn (l/min)	MOPD (bar)	Fluid Temp (°C)	Amb Temp (°C)
From	SB	4	400	10	-10	-10
To	SB	15	5000	10	75	50



Drawing 3299



Drawing 8271

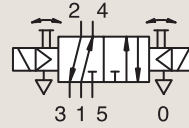


Drawing 3895

5/2

5 WAY PNEUMATIC DISTRIBUTORS (PIPE MOUNTING/SUB-BASE MOUNTING) PILOT OPERATED

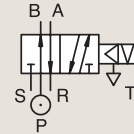
ANODIZED ALUMINIUM SUB-BASE MOUNTING



DUAL SOLENOIDS

Port size	Orifice Ø 1 mm	Flow factor Qn l/min	Operating Pressure Differential			Fluid Temp.		Seat Seal	Parker LUCIFER® Valves			Power		Coil Group	Dwg. No.
			Min bar	Max (MOPD) AC bar DC bar	Min °C	Max °C	Valve Ref.		Housing Ref.	Coil Ref.	AC W	DC W			
SB	4	315	2	10	10	-10	75	NBR	347L9201	-	482605	-	5	1.1	3897
	4	315	2	10	10	-10	75	NBR	347L9201	-	482606	2	2.5	1.1	3897
	4	315	2	10	10	-10	75	NBR	347L9201	8993	488980	2	2.5	1.1	3897
	4	315	2	10	10	-10	75	NBR	347L9201	8993	495865	2	2.5	1.1	3897

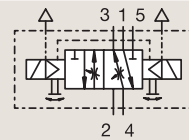
ANODIZED ALUMINIUM SUB-BASE MOUNTING



CONTROL BY ELECTRIC IMPULSE

Port size	Orifice Ø 1 mm	Flow factor Qn l/min	Operating Pressure Differential			Fluid Temp.		Seat Seal	Parker LUCIFER® Valves			Power		Coil Group	Dwg. No.
			Min bar	Max (MOPD) AC bar DC bar	Min °C	Max °C	Valve Ref.		Housing Ref.	Coil Ref.	AC W	DC W			
SB	15	5000	0.5	10	-	-10	75	NBR	345L21	4269	484990	11	-	4.0	3299
	15	5000	0.5	-	10	-10	75	NBR	345L21	4269	485400	-	13	4.0	3299

ANODIZED ALUMINIUM CETOP

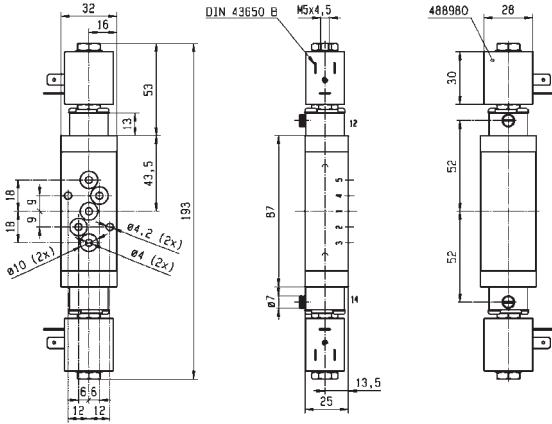


DUAL SOLENOIDS

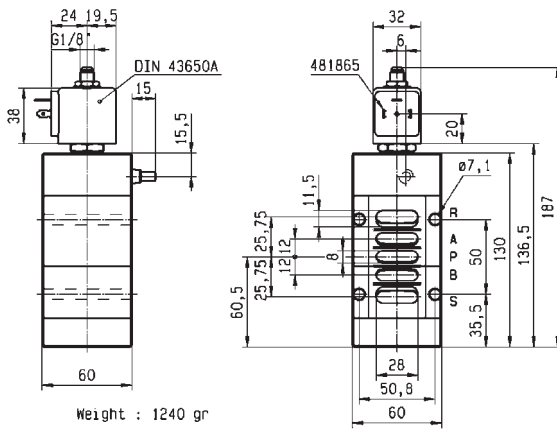
Port size	Orifice Ø 1 mm	Flow factor Qn l/min	Operating Pressure Differential			Fluid Temp.		Seat Seal	Parker LUCIFER® Valves			Power		Coil Group	Dwg. No.
			Min bar	Max (MOPD) AC bar DC bar	Min °C	Max °C	Valve Ref.		Housing Ref.	Coil Ref.	AC W	DC W			
BSP 1/8"	6	800	1	10	10	-10	75	NBR	347L04	8993	488980	2	2.5	1.1	3694



For this page	Port size	Orifice (mm)	Qn (l/min)	MOPD (bar)	Fluid Temp (°C)	Amb Temp (°C)
From	SB	4	315	10	-10	-10
To	4 mm	15	5000	10	75	50

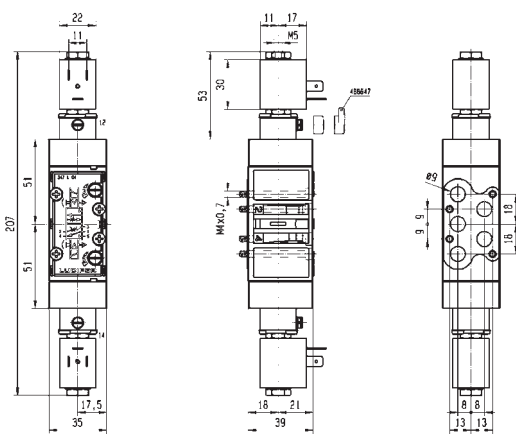


Drawing 3897



Weight : 1240 gr

Drawing 3299

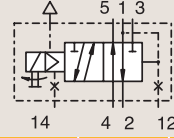


Drawing 3694

5/2

5 WAY PNEUMATIC DISTRIBUTORS (PIPE MOUNTING/SUB-BASE MOUNTING) PILOT OPERATED

ZINC ALLOY
PIPE MOUNTING

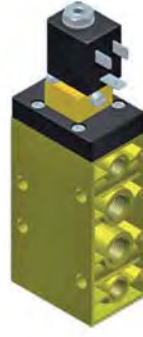
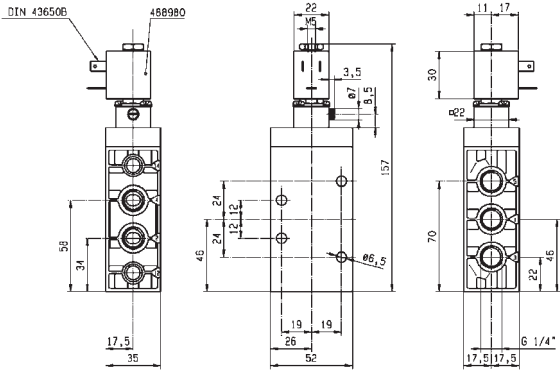


NORMALLY CLOSED

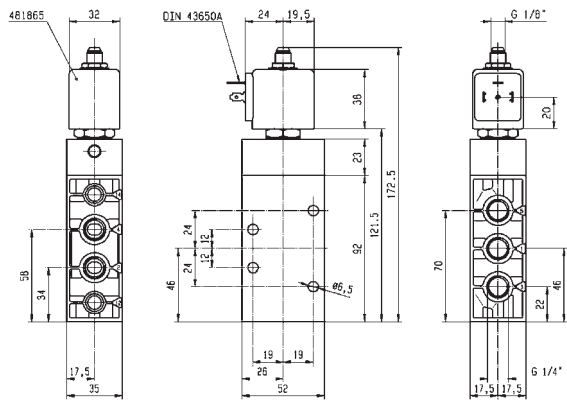
Port size	Orifice Ø	Flow factor	Operating Pressure Differential			Fluid Temp.		Seat Seal	Parker LUCIFER® Valves			Power		Coil Group	Dwg. No.
			Min	Max (MOPD)		Min	Max		Valve Ref.	Housing Ref.	Coil Ref.	AC W	DC W		
BSP	1	Qn l/min	bar	AC bar	DC bar	°C	°C								
1/4"	8	1400	1	10	10	-10	75	NBR	341L11	-	482605	4	5	1.1	3434
	8	1400	1	10	10	-10	75	NBR	341L11	-	482606	2	2.5	1.1	3434
	8	1400	1	10	10	-10	75	NBR	341L11	8993	488980	2	2.5	1.1	3434
	8	1400	1	10	10	-10	75	NBR	341L11	8993	495865	2	2.5	1.1	3434
	8	1400	1	10	10	-10	75	NBR	E341L1130	2995	481865	8	9	2.1/3.0	3539
	8	1400	1	10	10	-10	75	NBR	E341L1130	-	483371	8	8	2.1/3.0	3539
1/4" NPT	8	1400	1	10	10	-10	75	FKM	U341L1130	2995	481865	8	9	2.1	8297
	8	1400	1	10	10	-10	75	FKM	U341L1130	2995	491514	11	12	2.1	8297



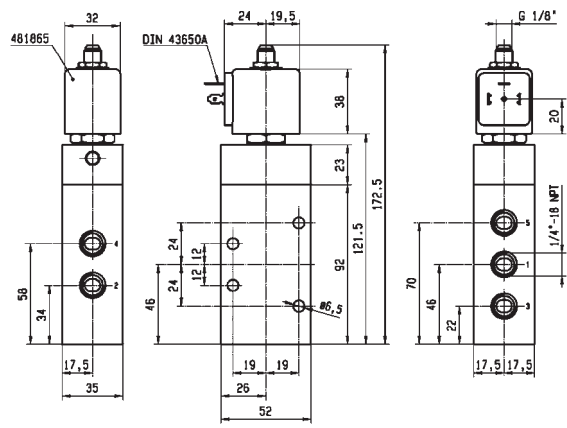
For this page	Port size	Orifice (mm)	Qn (l/min)	MOPD (bar)	Fluid Temp (°C)	Amb Temp (°C)
From	1/4"	8	1400	10	-10	-10
To	1/4"	8	1400	10	75	50



Drawing 3434



Drawing 3539



Drawing 8297

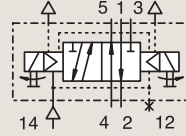
5/2

5 WAY PNEUMATIC DISTRIBUTORS (PIPE MOUNTING/SUB-BASE MOUNTING) PILOT OPERATED

ZINC ALLOY

PIPE MOUNTING

DUAL SOLENOIDS



Port size	Orifice Ø	Flow factor	Operating Pressure Differential		Fluid Temp.		Seat Seal	Parker LUCIFER® Valves			Power		Coil Group	Dwg. No.	
			Min	Max (MOPD)	Min	Max		Valve Ref.	Housing Ref.	Coil Ref.	AC W	DC W			
BSP	mm	Qn l/min	bar	AC bar	DC bar	°C	°C								
1/4"	8	1400	1	10	10	-10	75	NBR	347L11 ₁	-	482605	4	5	1.1	3461
	8	1400	1	10	10	-10	75	NBR	347L11 ₁	-	482606	2	2.5	1.1	3461
	8	1400	1	10	10	-10	75	NBR	347L11 ₁	8993	488980	2	2.5	1.1	3461
	8	1400	1	10	10	-10	75	NBR	347L11 ₁	8993	495865	2	2.5	1.1	3461
	8	1400	2	10	10	-10	100	FKM	E347L1130 ₁	2995	481865	8	9	2.1/3.0	3541
	8	1400	2	10	10	-10	100	FKM	E347L1130 ₁	4270	481000	8	8	2.1/3.0	3541

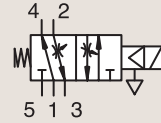
Notes:

1. With manual override

POM

CETOP

NORMALLY CLOSED



Port size	Orifice Ø	Flow factor	Operating Pressure Differential		Fluid Temp.		Seat Seal	Parker LUCIFER® Valves			IS	Power		Coil Group	Dwg. No.
			Min	Max (MOPD)	Min	Max		Valve Ref.	Housing Ref.	Coil Ref.		AC W	DC W		
BSP	mm	Qn l/min	bar	AC bar	DC bar	°C	°C								
-	6	800	1	10	10	-10	75	FKM	E341L02	2995	481865	8	9	2.1/3.0	3513
	6	800	1	10	10	-10	75	FKM	E341L02	4270	481000	8	8	2.1/3.0	3513

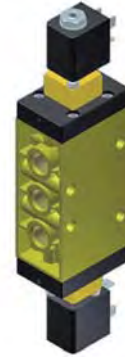
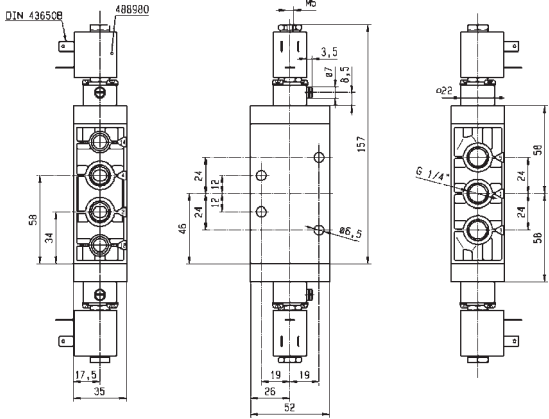
Notes:

1. Manual override and flow regulating screws standard
2. With manual override

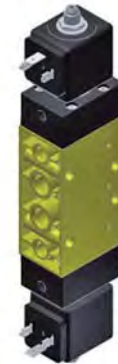
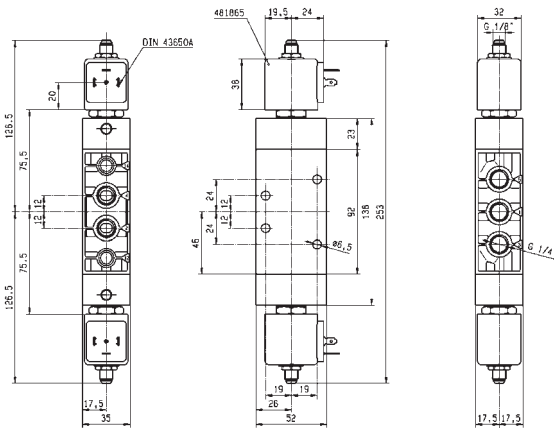
5 WAY VALVES



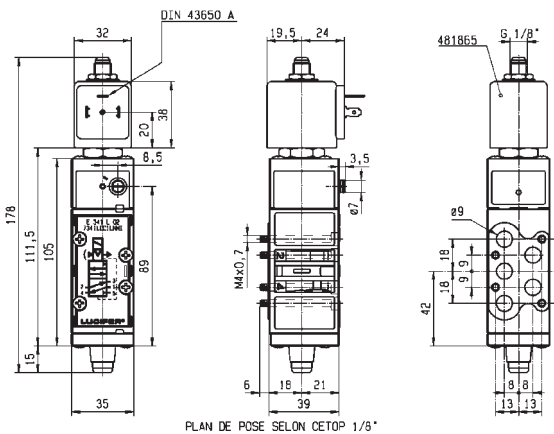
For this page	Port size	Orifice (mm)	Qn (l/min)	MOPD (bar)	Fluid Temp (°C)	Amb Temp (°C)
From	1/4"	6	800	10	-10	-10
To	1/4"	8	1400	10	100	50



Drawing 3461



Drawing 3541

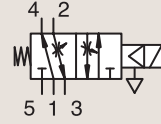


Drawing 3513

5/2

5 WAY PNEUMATIC DISTRIBUTORS (PIPE MOUNTING/SUB-BASE MOUNTING) PILOT OPERATED

POM
CETOP

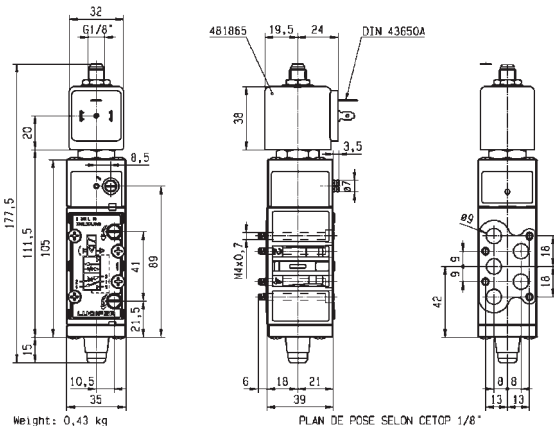


NORMALLY CLOSED

Port size	Orifice Ø	Flow factor	Operating Pressure Differential			Fluid Temp.		Seat Seal	Parker LUCIFER® Valves			IS	Power		Coil Group	Dwg. No.
			Min	Max (MOPD)	DC bar	Min	Max		Valve Ref.	Housing Ref.	Coil Ref.		AC W	DC W		
BSP	mm	Qn l/min	bar	AC bar	DC bar	°C	°C									
-	8	800	1	10	10	-10	75	FKM	341L04 ₁	-	482605		4	5	1.1	3437
	8	800	1	10	10	-10	75	FKM	341L04 ₁	-	482606		2	2.5	1.1	3437
	8	800	1	10	10	-10	75	FKM	341L04 ₁	8993	488980		2	2.5	1.1	3437
	8	800	1	10	10	-10	75	FKM	341L04 ₁	8993	495865		2	2.5	1.1	3437
1/8"	6	800	1	-	10	-10	75	NBR	341L0197	2995	482740		-	1.6	6.0/8.0	8021
	6	800	1	10	10	-10	75	NBR	341L0197	-	495900		2.5	2	6.0/8.0	8021
	6	800	1	-	10	-10	75	NBR	341L0197	-	495910	*	-	0.3 to 3	6.0/8.0	8021
	6	800	1	-	10	-10	75	NBR	341L0197	2995	496125		-	1.6	6.0/8.0	8021
	6	800	1	10	10	-10	75	NBR	341L05 ₂	-	482605		4	5	1.1	3430
	6	800	1	10	10	-10	75	NBR	341L05 ₂	-	482606		2	2.5	1.1	3430
	6	800	1	10	10	-10	75	NBR	341L05 ₂	8993	488980		2	2.5	1.1	3430
	6	800	1	10	10	-10	75	NBR	341L05 ₂	8993	495865		2	2.5	1.1	3430
	6	800	1	10	-	-10	75	FKM	E341L01 ₁	2995	482722		10	-	2.1/3.0	3255
	6	800	1	10	10	-10	75	FKM	E341L01 ₁	-	483371		8	8	2.1/3.0	3255
	6	800	1	10	10	-10	75	FKM	E341L01 ₁	2995.33	491514		11	12	2.1/3.0	3255

Notes:

- 1.Manual override and flow regulating screws standard
- 2.With manual override

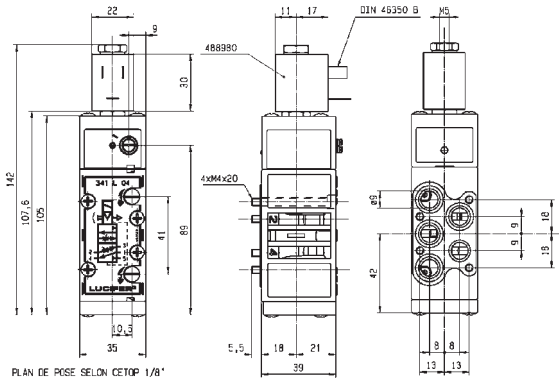


Drawing 3255

5 WAY VALVES



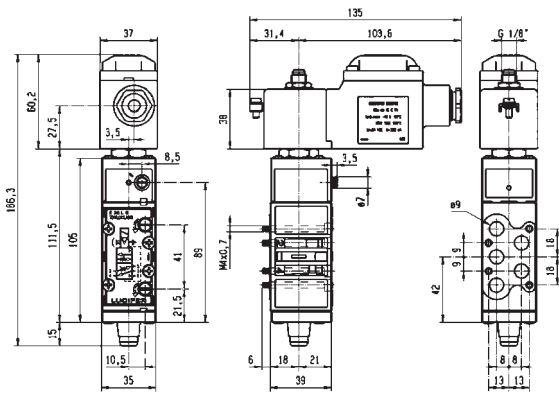
For this page	Port size	Orifice (mm)	Qn (l/min)	MOPD (bar)	Fluid Temp (°C)	Amb Temp (°C)
From	1/8"	6	800	10	-10	-20
To	1/8"	8	800	10	75	50



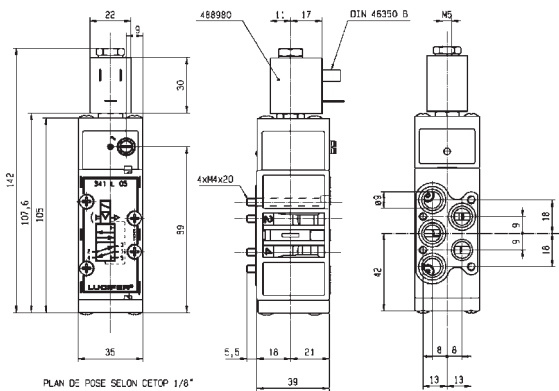
PLAN DE POSE SELON CETOP 1/8"



Drawing 3437



Drawing 8021



PLAN DE POSE SELON CETOP 1/8"

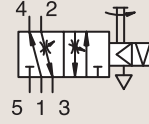


Drawing 3430

5/2

5 WAY PNEUMATIC DISTRIBUTORS (PIPE MOUNTING/SUB-BASE MOUNTING) PILOT OPERATED

POM
CETOP



CONTROL BY ELECTRIC IMPULSE

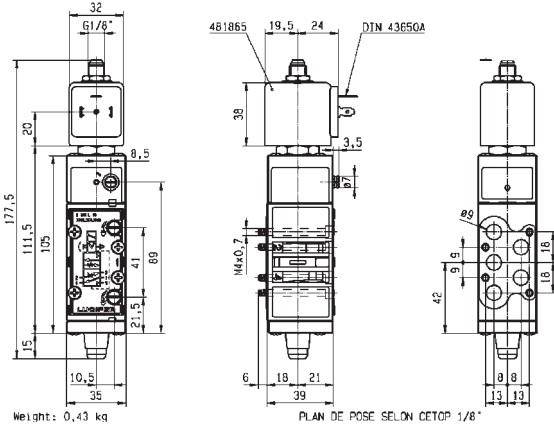
Port size	Orifice Ø	Flow factor	Operating Pressure Differential			Fluid Temp.		Seat Seal	Valve Ref.	Parker LUCIFER® Valves			Power		Coil Group	Dwg. No.
			Min	Max (MOPD)		Min	Max			Housing Ref.	Coil Ref.	AC W	DC W			
BSP	mm	Qn l/min	bar	AC bar	DC bar	°C	°C									
1/8"	6	800	1	-	10	-10	75	FKM	345L01 ₁	4269	485400	-	13	4.0	3255	

Notes:

1. Manual override and flow regulating screws standard



For this page	Port size	Orifice (mm)	Qn (l/min)	MOPD (bar)	Fluid Temp (°C)	Amb Temp (°C)
From	1/8"	6	800	10	-10	-10
To	1/8"	6	800	10	75	50



Drawing 3255

5/2

5 WAY PNEUMATIC DISTRIBUTORS (PIPE MOUNTING/SUB-BASE MOUNTING) EXTERNALLY OPERATED



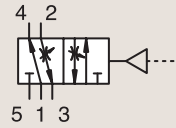
Process



Industrial Equipment

ANODIZED ALUMINIUM SUB-BASE MOUNTING

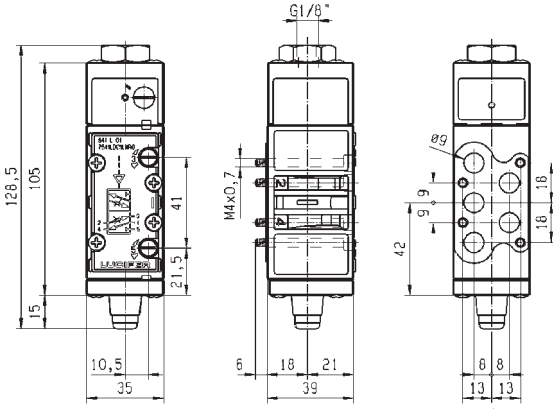
NORMALLY CLOSED



Port size	Orifice Ø 1 mm	Flow factor Qn l/min	Operating Pressure Differential			Fluid Temp.		Seat Seal FKM/ NBR	Parker LUCIFER® Valves			Power		Coil Group	Dwg. No.
			Min bar	Max (MOPD)		Min °C	Max °C		Valve Ref.	Housing Ref.	Coil Ref.	AC W	DC W		
				AC bar	DC bar										
SB	7	800	1	10	10	-10	75		541L01	-	-	-	-	-	3254



For this page	Port size	Orifice (mm)	Qn (l/min)	MOPD (bar)	Fluid Temp (°C)	Amb Temp (°C)
From	1/8"	7	800	10	-10	-10
To	1/8"	7	800	10	75	50



Weight: 0,36 kg

PLAN DE POSE SELON CETOP 1/8"



Drawing 3254