

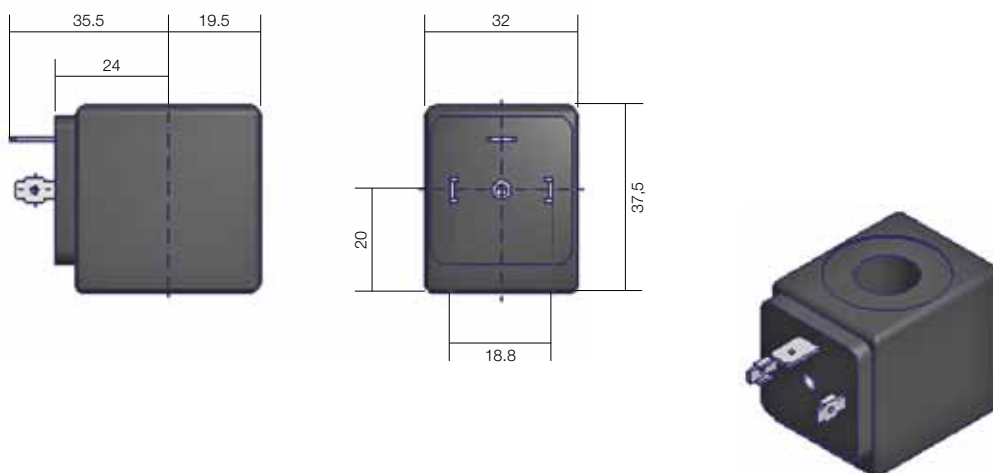
Electrical Parts Availability

32 mm Electrical Parts Availability

481865 Series - Standard Coil Mono-Frequency, F Class, IP65

Encapsulated in synthetic material, connector for 2P+E DIN 43650 A Plug, IP65 insulation class to be considered with connector plug only. This coil conforms to the IEC/CENELEC safety standards and complies with European low-voltage directive 73/23/EC.

Voltage V	Power Consumption	Reference	Approvals	Ambient Temperature	Class of insulation	Dimensional Drawing
24/50	8 W	481865A2	-	-40°C to +50°C	F Class 155°C	8
48/50	8 W	481865A4	-	-40°C to +50°C	F Class 155°C	8
110/50	8 W	481865A5	-	-40°C to +50°C	F Class 155°C	8
220-230/50	8 W	4818653D	-	-40°C to +50°C	F Class 155°C	8
380/50	8 W	481865A9	-	-40°C to +50°C	F Class 155°C	8
24/60	8 W	481865B2	-	-40°C to +50°C	F Class 155°C	8
230/60	8 W	481865J3	-	-40°C to +50°C	F Class 155°C	8
115/60	8 W	481865K8	-	-40°C to +50°C	F Class 155°C	8
12 DC	9 W	481865C1	-	-40°C to +50°C	F Class 155°C	8
24 DC	9 W	481865C2	-	-40°C to +50°C	F Class 155°C	8
48 DC	9 W	481865C4	-	-40°C to +50°C	F Class 155°C	8
110V DC	9 W	481865C5	-	-40°C to +50°C	F Class 155°C	8



All dimensions are in mm

Dimensional Drawing N° 8

32 mm Electrical Parts Availability

483510 Series - Standard Bi-Frequency Coil, F Class, IP65

Encapsulated in synthetic material, connector for 2P+E DIN 43650 A Plug, IP65 insulation class to be considered with connector plug only.

This coil conforms to the IEC/CENELEC safety standards and complies with European low-voltage directive 73/23/EC.

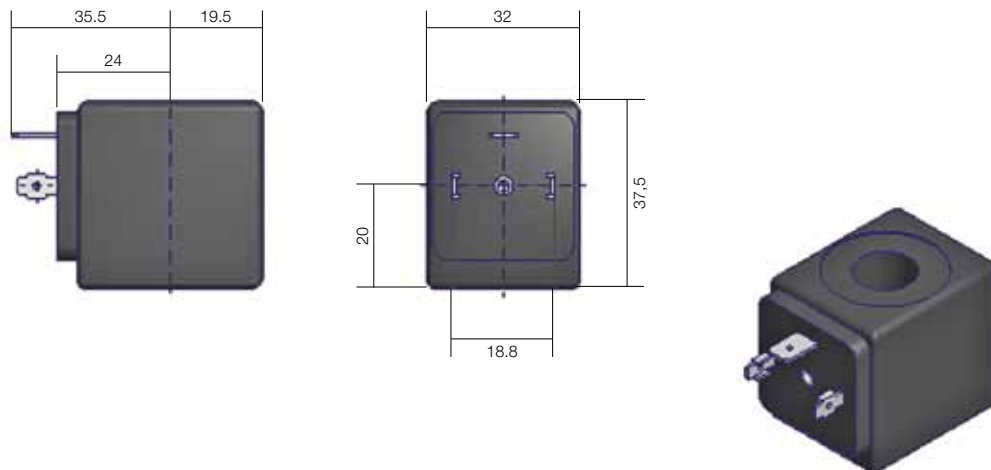
Voltage V	Power Consumption	Reference	Approvals	Ambient Temperature	Class of insulation	Dimensional Drawing
12/50-60	9 W	4835101W	-	-40°C to +50°C	F Class 155°C	8
24/50-60	9 W	483510P0	-	-40°C to +50°C	F Class 155°C	8
48/50-60	9 W	483510S4	-	-40°C to +50°C	F Class 155°C	8
110-115/50 120/60	9 W	483510S5	-	-40°C to +50°C	F Class 155°C	8
220-240/50 240/60	9 W	483510S6	-	-40°C to +50°C	F Class 155°C	8

Voltage

Tolerances: -10% to +10% of the nominal voltage (AC), -5% to +10% of the nominal voltage (DC)

Duty Continuous duty coil (100%ED)

Weight: 130 g (without plug)



All dimensions are in mm

Dimensional Drawing N° 8