

Pressure Gauge

Compressed air : 0~10bar (0~140psi)
 Accuracy : ±2.5% Full scale
 Material : Brass, ABS, PMMA
 Weight : 58g (with nut), 52g (without nut)

Features

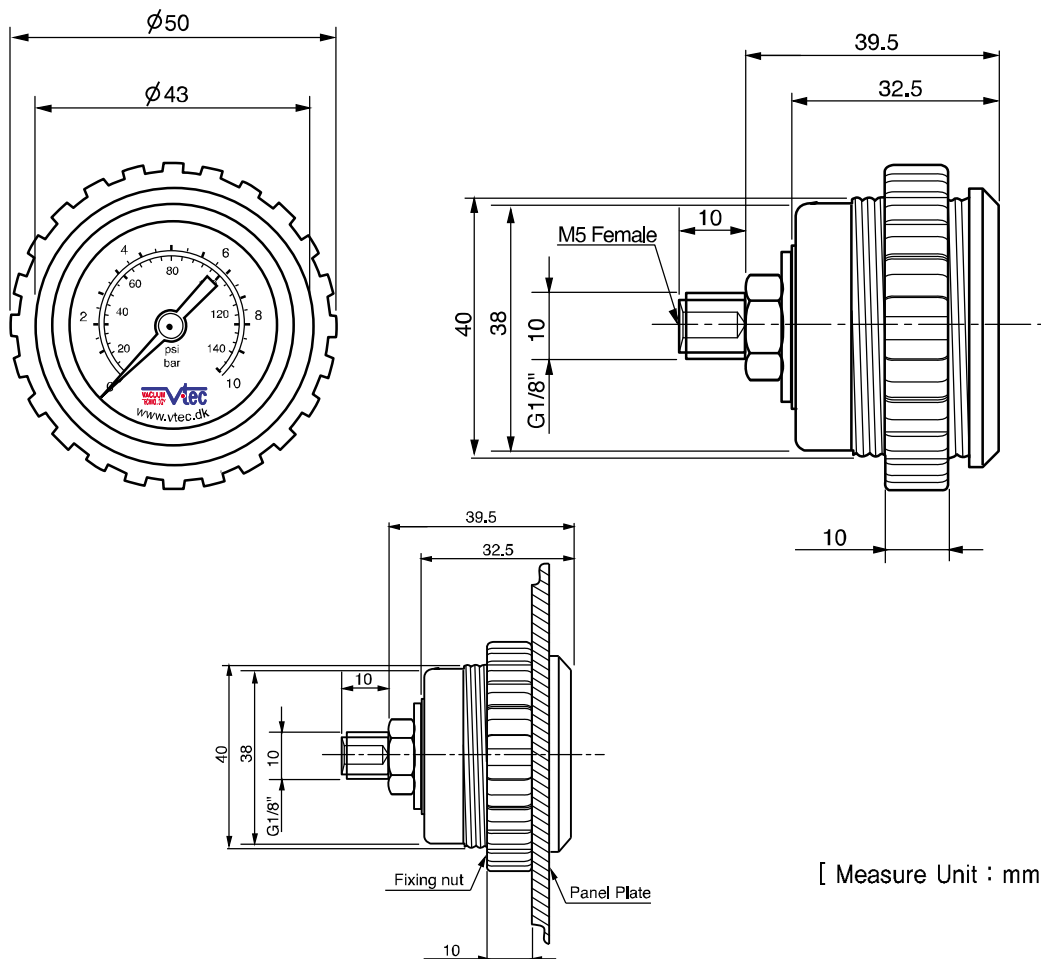
This pressure gauge are high quality & reach a very long life time. Specially, can be mounted directed into the panel plate with fixing nut.



Order no.

Model	Description	Weight (g)
VTPG-18 + N	with nut	58
VTPG-18	without nut	52

Dimensional Data



[Measure Unit : mm]